

Installation and care instructions

## **DB 032 – CEILING BRACKET**



**MASSIFCENTRAL**

## Content

Important information	2
Mounting	3
Care	4

### Important information please read carefully prior to assembly!

Each ceiling bracket is subject to quality control and testing before it is dispatched. Please unwrap the components carefully! The polished or nickel-plated metal surfaces of the product are sensitive. Do wear gloves and mount the parts on soft pads like blankets etc. The glass is sensitive to hits and may be damaged or scratched when handling is not gentle. Leave the bubble foil on the glasses as long as possible to prevent damages during the mounting procedure.



This is a low-voltage LED light! Always use the included power supply and never connect the light cable directly to the 220 V mains network. This would destroy the light completely.

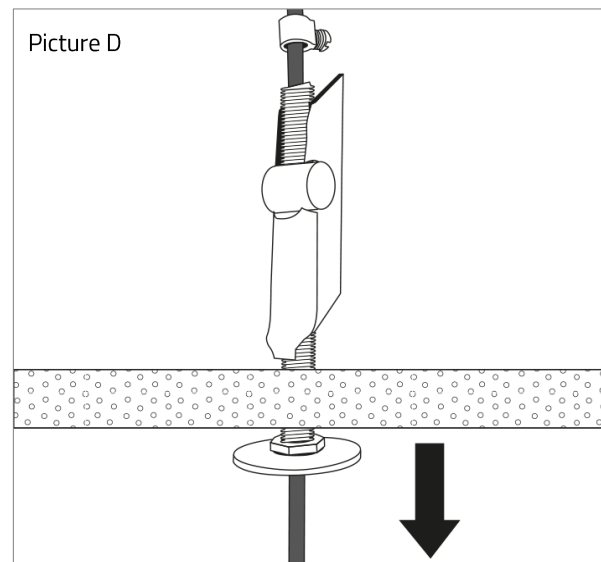
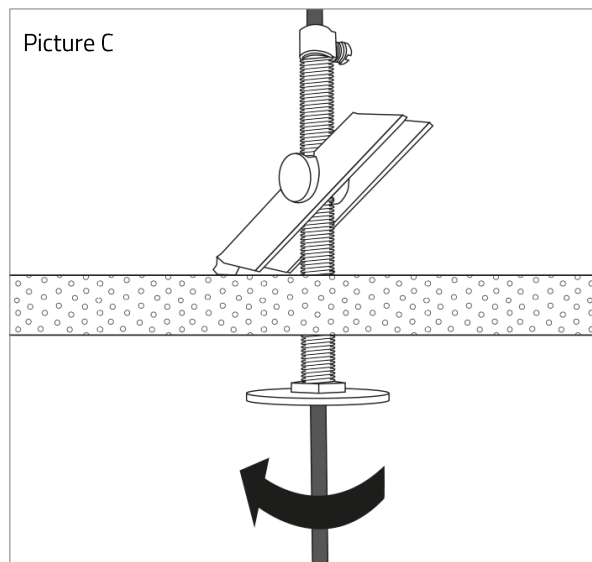
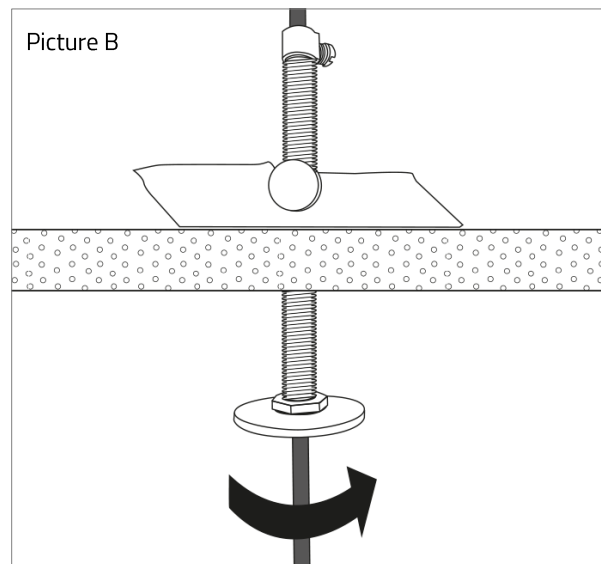
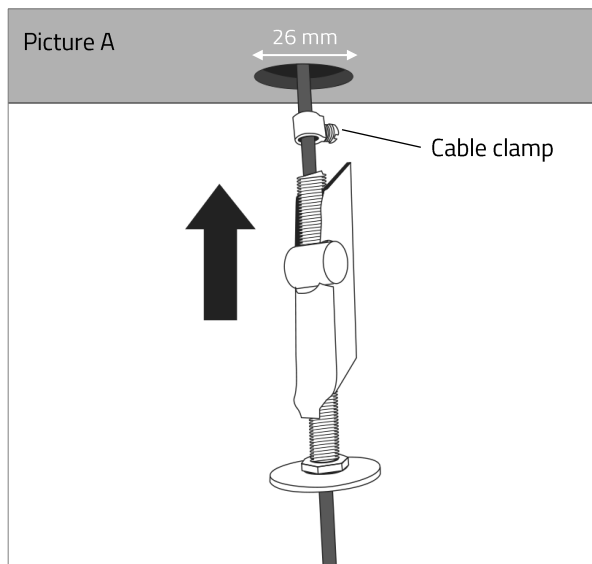
**Important!** Electrical devices may only be installed and assembled by qualified electricians. Applicable health and safety regulations must be observed. Shut off the mains supply (switch off the automatic circuit breaker) before commencing work on the device in order to prevent electric shocks. Failure to adhere to the installation instructions may cause fires or other hazards.

**Important!** Do not twist the wire-insulated light cable!

## Mounting

DB 032 ceiling bracket is developed for plaster ceiling and other suspended ceiling constructions. The cable length is adjustable after installation, visible washer outside- $\varnothing$  32 mm (H=2 mm), requesting 100 mm inside space.

1. Drill a hole with a diameter of 26 mm into the plaster ceiling. Pass the two wired low current cable from above through the hole.
2. Guide the cable to the light fixture through the tube of the DB 032 and thread the cable clamp onto the cable. Then connect the cables.
3. Adjust the length of the cable to the lighting fixture using the cable clamp please keep the length of DB 032 (82 mm) in mind. Then guide the folded DB 032 through the drillhole, which should have a diameter of 26 mm (Picture A).
4. When DB 032 is spread out, tighten the thread, until the washer is fixed on the plaster ceiling (Picture B).
5. To adjust the cable length loosen the thread and push up DB 032 so thread is completely folded (Picture C).
6. Pull the folded DB 032 through the drillhole to modify the cable length to the lighting fixture by using the cable clamp (Picture D).



## Care

The ceiling rose is varnished, nickel-plated or made of polished aluminum, and therefore is susceptible to scratches and improper treatment. Polished metal surfaces will gradually oxidise/anodise and develop a patina.

For cleaning we recommend the use of a moist cloth and standard glass care products.

DB 032 is patent pending.



Manufacturer:

LCB Manufactur GmbH, Mommsenstr. 65, D-10629 Berlin

p +49 30 91 44 75 62, info@massifcentral.de, www.massifcentral.de

© 2018, LCB Manufactur GmbH. All rights reserved. These drawings and the information contained herein may not be reproduced, communicated to public or made available in whole or in part without prior permission. Patents issued and pending. Alterations in design, technology and manufacture are subject to change at any time. No guarantee for any typographical errors assumed.