

Installation and care instructions

DB 075 – CEILING BRACKET



MASSIFCENTRAL

Content

Important information	2
Mounting	3
Care	4

Important information please read carefully prior to assembly!

Each ceiling bracket is subject to quality control and testing before it is dispatched. Please unwrap the components carefully! The polished or nickel-plated metal surfaces of the product are sensitive. Do wear gloves and mount the parts on soft pads like blankets etc. The glass is sensitive to hits and may be damaged or scratched when handling is not gentle. Leave the bubble foil on the glasses as long as possible to prevent damages during the mounting procedure.



This is a low-voltage LED light! Always use the included power supply and never connect the light cable directly to the 220 V mains network. This would destroy the light completely.

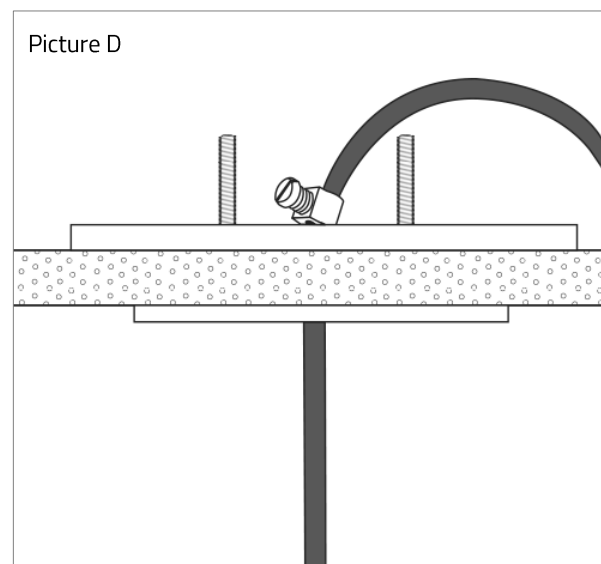
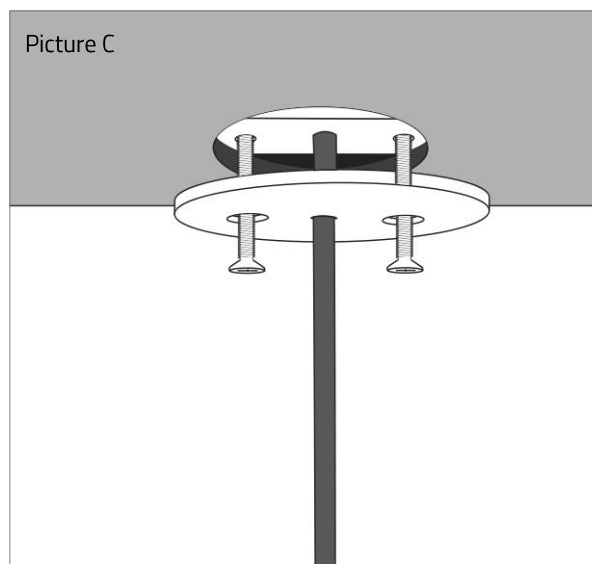
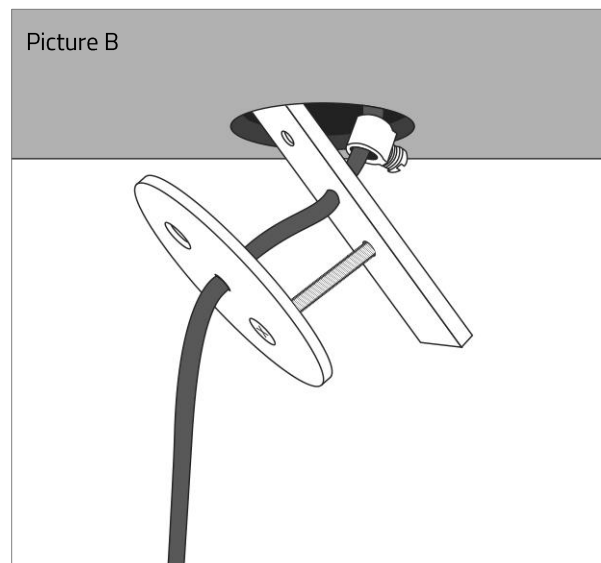
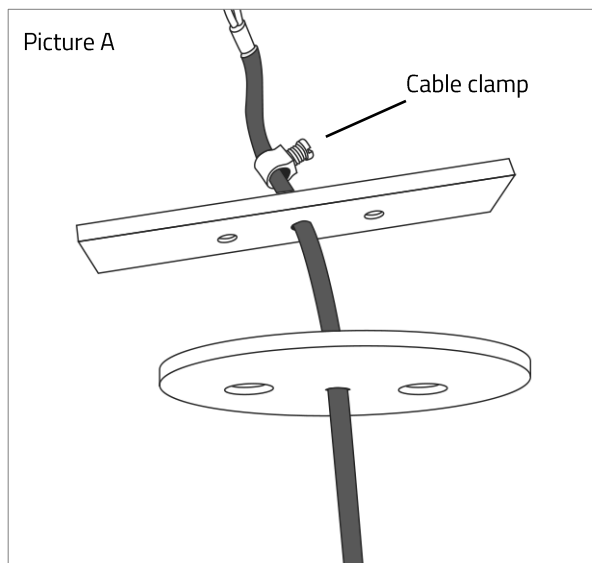
Important! Electrical devices may only be installed and assembled by qualified electricians. Applicable health and safety regulations must be observed. Shut off the mains supply (switch off the automatic circuit breaker) before commencing work on the device in order to prevent electric shocks. Failure to adhere to the installation instructions may cause fires or other hazards.

Important! Do not twist the wire-insulated light cable!

Mounting

The DB 075 ceiling bracket is made for suspended ceilings and consists of a cable clamp, a holder and a ceiling rose.

1. Cut the wire-insulated cable to length and prepare the cable ends for the terminal block. Shut off the mains supply before commencing work on the device in order to prevent electric shocks.
2. Thread the ceiling rose, the holder and the cable clamp over the cable and define cable length to the lighting fixture by locking the cable in the required position using the cable clamp supplied with a screwdriver. Do not screw the cable clamps too tight! The screws may damage the electrical cables inside (Picture A).
3. Connect cables using terminal block.
4. Pass the holder through the hole in the ceiling. The hole must be at least 55 mm in diameter (Picture B).
5. Screw ceiling rose to the holder by using screws supplied (Picture C and D).



Care

The ceiling rose is varnished, nickel-plated or made of polished aluminum, and therefore is susceptible to scratches and improper treatment. Polished metal surfaces will gradually oxidise/anodise and develop a patina.

For cleaning we recommend the use of a moist cloth and standard glass care products.



Manufacturer:

LCB Manufactur GmbH, Mommsenstr. 65, D-10629 Berlin

p +49 30 91 44 75 62, info@massifcentral.de, www.massifcentral.de

© 2017, LCB Manufactur GmbH. All rights reserved. These drawings and the information contained herein may not be reproduced, communicated to public or made available in whole or in part without prior permission. Patents issued and pending. Alterations in design, technology and manufacture are subject to change at any time. No guarantee for any typographical errors assumed.