

Installation and care instructions

DB 080 – CEILING BRACKET



MASSIFCENTRAL

Content

Important information	2
Mounting	3
Care	4

Important information please read carefully prior to assembly!

Each ceiling bracket is subject to quality control and testing before it is dispatched. Please unwrap the components carefully! The polished or nickel-plated metal surfaces of the product are sensitive. Do wear gloves and mount the parts on soft pads like blankets etc. The glass is sensitive to hits and may be damaged or scratched when handling is not gentle. Leave the bubble foil on the glasses as long as possible to prevent damages during the mounting procedure.



This is a low-voltage LED light! Always use the included power supply and never connect the light cable directly to the 220 V mains network. This would destroy the light completely.

Important! Electrical devices may only be installed and assembled by qualified electricians. Applicable health and safety regulations must be observed. Shut off the mains supply (switch off the automatic circuit breaker) before commencing work on the device in order to prevent electric shocks. Failure to adhere to the installation instructions may cause fires or other hazards.

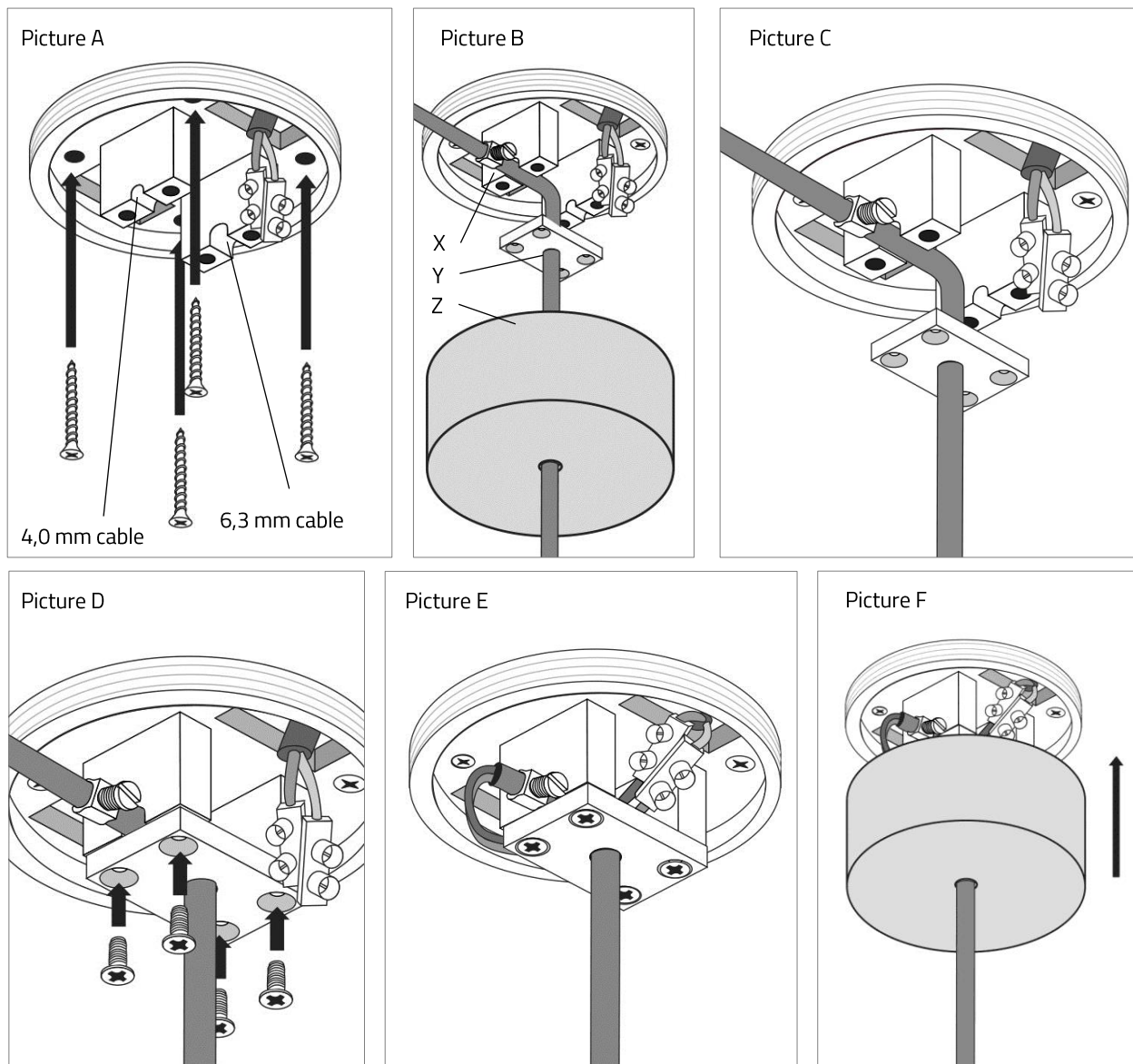
Important! Do not twist the wire-insulated light cable!

Mounting

The pre-assembled ceiling mount DB 080 consists of a ceiling mount, a cable clamp and a customized ceiling rosette / cover with a diameter of 80 mm and a height of 35 mm. There are 2 alternative cable feedthroughs for 4,0 mm and 6,3 mm cables (picture A).

Important: to prevent electric shock, disconnect the mains supply before working on the device.

1. Fix the ceiling ring to the ceiling using wall plugs and screws supplied. Prepare the conducting cable for installation (picture A). Thread the ceiling rosette (Z), the covering plate of the ceiling mount (Y) and the cable clamp (X) over the cable of the luminaire (picture B). Define the cable length to the luminaire and push up the covering plate until it can be fixed to the ceiling ring. For this lead the cable through the designated opening. Attention: choose opening pursuant to cable thickness (picture C und D).
2. Push the cable clamp on the cable close to the cable feedthrough and fix it. **Attention: Do not screw too tight! The screws may damage the electrical cables inside.** Prepare the cable of the luminaire for installation by stripping the cable behind the cable clamp. Lead the stripped cables through the mount and connect cables using terminal block. (picture E).
3. Push up the ceiling rosette and fix it to the ceiling ring (picture F).



Care

The ceiling rose is varnished, nickel-plated or made of polished aluminum, and therefore is susceptible to scratches and improper treatment. Polished metal surfaces will gradually oxidise/anodise and develop a patina.

For cleaning we recommend the use of a moist cloth and standard glass care products.



Manufacturer:

LCB Manufactur GmbH, Mommsenstr. 65, D-10629 Berlin

p +49 30 91 44 75 62, info@massifcentral.de, www.massifcentral.de

© 2018, LCB Manufactur GmbH. All rights reserved. These drawings and the information contained herein may not be reproduced, communicated to public or made available in whole or in part without prior permission. Patents issued and pending. Alterations in design, technology and manufacture are subject to change at any time. No guarantee for any typographical errors assumed.