

Installation and care instructions

DB P48 – CEILING BRACKET



MASSIFCENTRAL

Content

Important information	2
Mounting	3
Care	4

Important information please read carefully prior to assembly!

Each ceiling bracket is subject to quality control and testing before it is dispatched. Please unwrap the components carefully! The polished or nickel-plated metal surfaces of the product are sensitive. Do wear gloves and mount the parts on soft pads like blankets etc. The glass is sensitive to hits and may be damaged or scratched when handling is not gentle. Leave the bubble foil on the glasses as long as possible to prevent damages during the mounting procedure.



This is a low-voltage LED light! Always use the included power supply and never connect the light cable directly to the 220 V mains network. This would destroy the light completely.

Important! Electrical devices may only be installed and assembled by qualified electricians. Applicable health and safety regulations must be observed. Shut off the mains supply (switch off the automatic circuit breaker) before commencing work on the device in order to prevent electric shocks. Failure to adhere to the installation instructions may cause fires or other hazards.

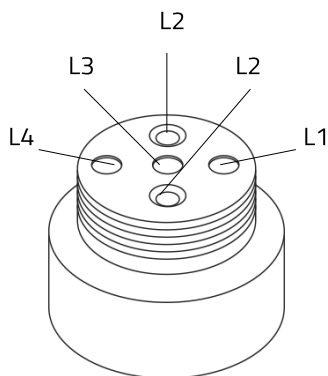
Important! Do not twist the wire-insulated light cable!

Mounting

The pre-assembled DB P48 ceiling mount consists of a ceiling bracket and a customized ceiling rosette / cover. Unscrew the connection between these two components (illustration A)

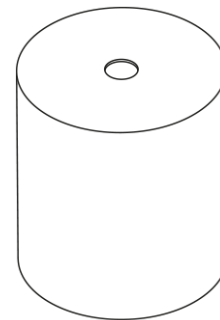
1. Cut the wire-insulated cable to length and prepare the cable ends for the terminal block.
2. Mark the bore holes for the screws of the ceiling bracket on the ceiling. Drill the holes for the screws supplied into the ceiling and insert wall plugs. The wall plugs should be selected by ceiling type and support the weight of approx. 5–6 kg.
3. Feed the power supply cable from the ceiling through the hole in the ceiling bracket. Shut off the mains supply (switch off the automatic circuit breaker) before commencing work on the device in order to prevent electric shocks.
4. Pass the cable of power supply through hole L1 from behind.
5. Pass cable of light through the ceiling rose and then through hole L3 and back through hole L4 and adjust cable to appropriate length for the light.
6. Connect cables using terminal block.
7. Mount the ceiling bracket to the ceiling.
8. Slide the ceiling rosette over the ceiling bracket and screw the ceiling rosette onto the ceiling ring as supplied.

Picture A



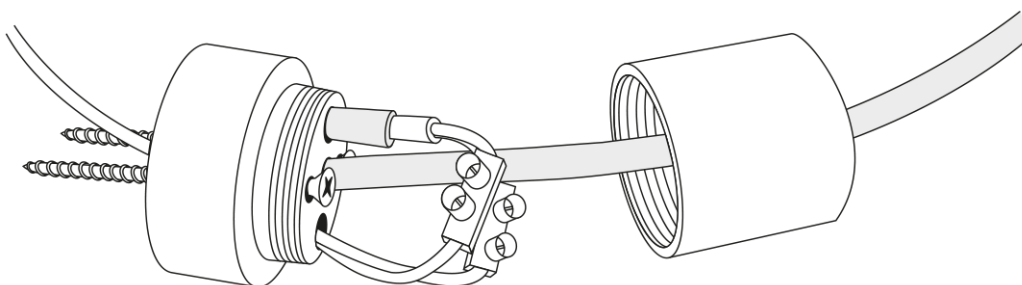
Ceiling ring

- L1: Cable from power supply (from ceiling)
- L2: 2 x screws for ceiling fixing
- L3: Cable to light
- L4: Cable from back



Ceiling rosette

Picture B: Wiring



Care

The ceiling rose is varnished, nickel-plated or made of polished aluminum, and therefore is susceptible to scratches and improper treatment. Polished metal surfaces will gradually oxidise/anodise and develop a patina.

For cleaning we recommend the use of a moist cloth and standard glass care products.



Manufacturer:

LCB Manufactur GmbH, Mommsenstr. 65, D-10629 Berlin

p +49 30 91 44 75 62, info@massifcentral.de, www.massifcentral.de

© 2019, LCB Manufactur GmbH. All rights reserved. These drawings and the information contained herein may not be reproduced, communicated to public or made available in whole or in part without prior permission. Patents issued and pending. Alterations in design, technology and manufacture are subject to change at any time. No guarantee for any typographical errors assumed.