

Installation and care instructions

MACHATAU – WALL LIGHTS

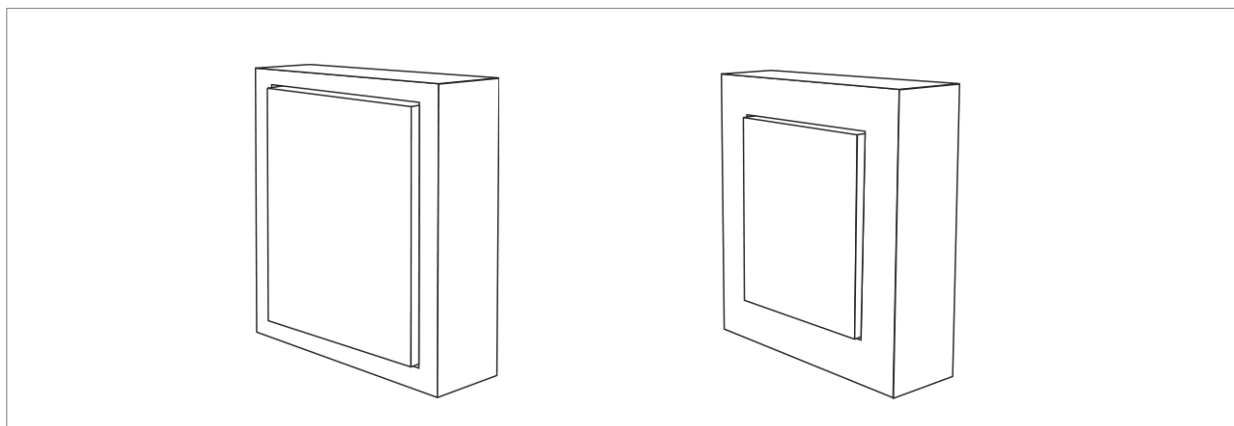


MASSIFCENTRAL

Content

Important information	2
Mounting	3
Electrical connections	3
Operation and care	4
Technical specifications for each light	4

These instructions are valid for Petit Machatau 08 and Petit Machatau 20



Important information please read carefully prior to assembly!

Each light is subject to quality control and testing before it is dispatched. Please unwrap the components carefully! The polished or nickel-plated metal surfaces of the product are sensitive. Do wear gloves and mount the parts on soft pads like blankets etc.



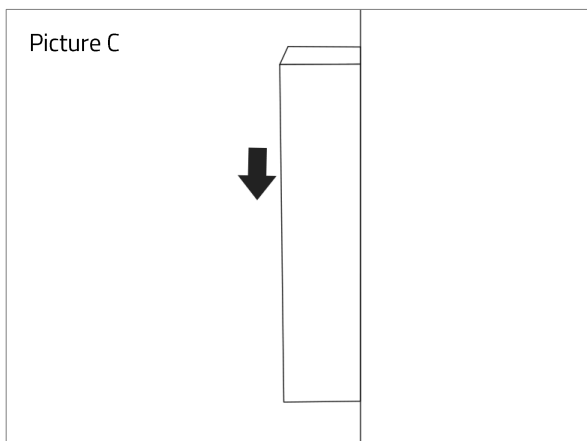
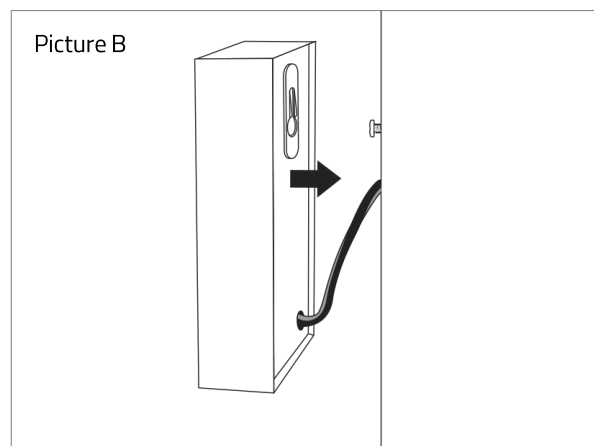
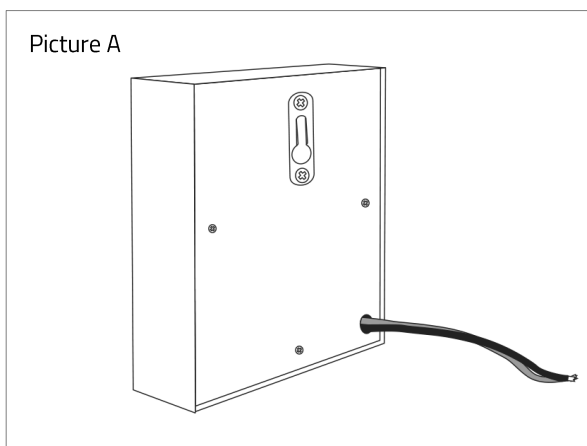
This is a low-voltage LED light! Always use the included power supply and never connect the light cable directly to the 220 V mains network. This would destroy the light completely.

Important! Electrical devices may only be installed and assembled by qualified electricians. Applicable health and safety regulations must be observed. Shut off the mains supply (switch off the automatic circuit breaker) before commencing work on the device in order to prevent electric shocks. Failure to adhere to the installation instructions may cause fires or other hazards.

Important! Do not twist the wire-insulated light cable!

Mounting

1. On the rear of the lights is a hook (see picture A).
2. Affix the enclosed screw to the wall using the enclosed wall plug, leaving the head of the screw extending approx. 5–6 mm out of the wall (see picture B).
3. Connect the wall light to the wire with a terminal block (only 24 V DC low voltage, use the light only with the enclosed a power supply!) This should be done with a luster terminal that has to be pressed into the wall outlet of the cable because there is not enough space for it behind the light.
4. Finally the screw has to be inserted into the hole of the hook then pulled down carefully (see picture B and C).
5. The Machatau is now fixed to one point and can easily be adjusted properly.



Electrical Connection

This is a low-voltage LED light! Always use the included power supply and never connect the light cable directly to the 220 V mains network. This would destroy the light completely.

Important! Electrical devices may only be installed and assembled by qualified electricians. The applicable health and safety regulations must be observed. Shut off the mains supply (switch off the automatic circuit breaker) before commencing work on the device in order to prevent electric shocks. Failure to adhere to the installation instructions may cause fires or other hazards.

Connect the 220 V cable to the primary side of the power supply. Connect the secondary side of the power supply to the cable using the terminal block supplied and bearing in mind the correct polarity: red = plus = +, black = minus = -.

This light is equipped with the following interfaces dimming mode:

- Dimmer with 1–10 V control voltage
- DALI
- Push dim, connection to a switch via cable
- Leading edge phase dimmer (keep light at full power for approx. 2 min before dimming first time!!)
- Wireless solution with remote control
- RF sender
- No dimmer

See also the enclosed instructions and/or labels on the component housings.

Operation and care

The outside of the socket may reach temperatures of up to approx. 60°C when in operation. Warning: risk of burning.

All metal surfaces of the light are nickel-plated or made of polished aluminum, and are therefore susceptible to scratches and improper treatment. Polished metal surfaces will gradually oxidise/anodise and develop a patina.

For cleaning we recommend the use of a moist cloth and standard glass care products.

Technical specifications for each light

Petit Machatau 08

Current / voltage	250 mA / 24 V DC
Power	approx. 5 Watt
Luminous flux / efficiency	200 lm / 40 lm/W

Colour temperature	2,700 K ANSI
Weight	approx. 0,8 kg
Dimensions (LxWxH)	approx. 107 x 107 x 30 mm

Petit Machatau 20

Current / voltage	250 mA / 24 V DC
Power	approx. 5 Watt
Luminous flux / efficiency	200 lm / 40 lm/W

Colour temperature	2,700 K ANSI
Weight	approx. 0,8 kg
Dimensions (LxWxH)	approx. 131 x 131 x 30 mm

Lifespan of the LED module: approx. 40,000 hours; can be replaced by an electrician.



Manufacturer:

LCB Manufactur GmbH, Mommsenstr. 65, D-10629 Berlin
 p +49 30 91 44 75 62, info@massifcentral.de, www.massifcentral.de

© 2017, LCB Manufactur GmbH. All rights reserved. These drawings and the information contained herein may not be reproduced, communicated to public or made available in whole or in part without prior permission. Patents issued and pending. Alterations in design, technology and manufacture are subject to change at any time. No guarantee for any typographical errors assumed.