

Installation and care instructions

# GRAND PAPILLON DUO WALL LIGHTS



MASSIFCENTRAL

## Content

Important information	2
Mounting	3
Electrical connections	3
Operation and care	4
Technical specifications for each light	4

## Important information please read carefully prior to assembly!

Each light is subject to quality control and testing before it is dispatched. Please unwrap the components carefully!  
The polished or nickel-plated metal surfaces of the product are sensitive. Do wear gloves and mount the parts on soft pads like blankets etc.



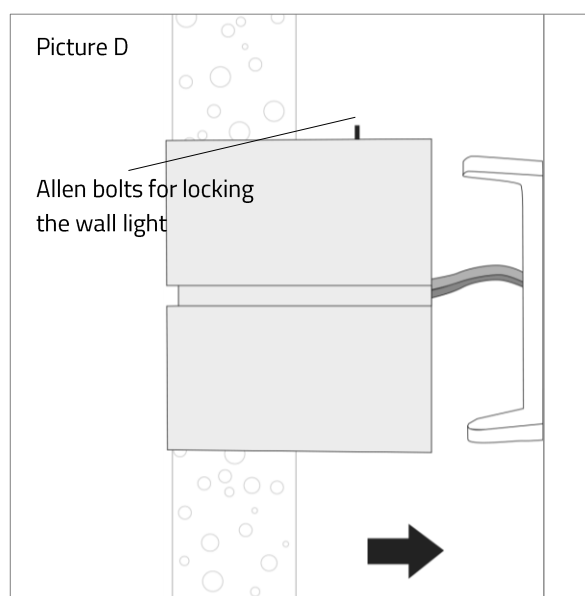
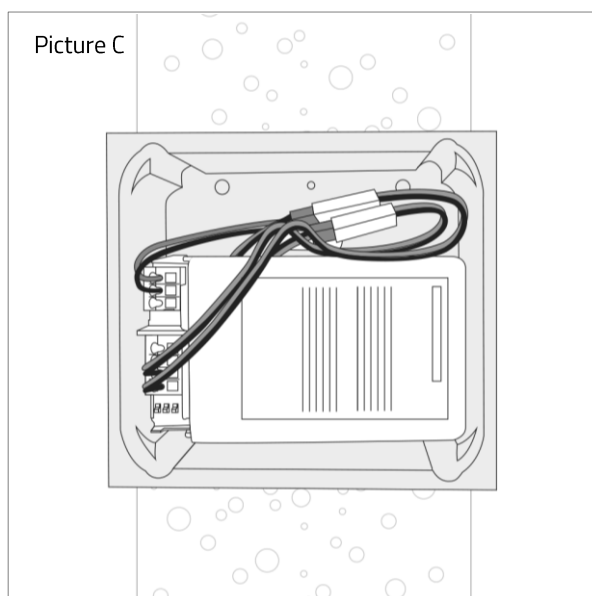
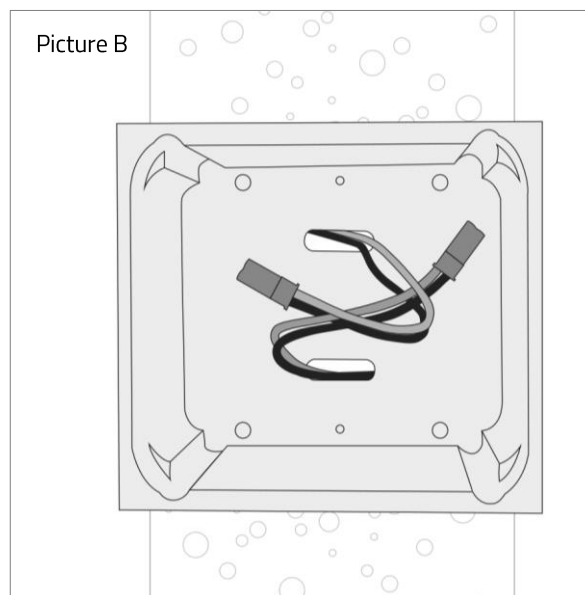
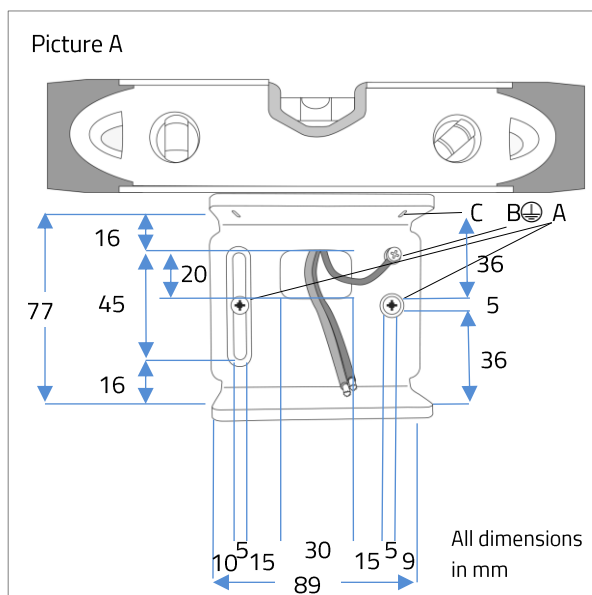
This is a low-voltage LED light! Always use the included power supply and never connect the light cable directly to the 220 V mains network. This would destroy the light completely.

**Important!** Electrical devices may only be installed and assembled by qualified electricians. Applicable health and safety regulations must be observed. Shut off the mains supply (switch off the automatic circuit breaker) before commencing work on the device in order to prevent electric shocks. Failure to adhere to the installation instructions may cause fires or other hazards.

**Important!** Do not twist the wire-insulated light cable!

## Mounting

1. Remove the wall mount from the light housing
2. Mount the wall fixture as shown in picture A below. Screw the wall mount to the wall using the screws and wall plugs supplied (A). The slots for the allen bolts (C) should be on the upper side of the wall mount. Connect the earth wire (B). Align the wall mount using a spirit level.
3. Connect the cables to the blocks properly. Use the light only with the enclosed power supply! The installation should only be done by professional electricians (Picture C).
4. Finally push the socket on the wall mount and lock the allen bolts on top of the socket side with enclosed allen bolt driver (Picture D).



## Electrical Connection

This is a low-voltage LED light! Always use the included power supply and never connect the light cable directly to the 220 V mains network. This would destroy the light completely.

**Important!** Electrical devices may only be installed and assembled by qualified electricians. The applicable health and safety regulations must be observed. Shut off the mains supply (switch off the automatic circuit breaker) before commencing work on the device in order to prevent electric shocks. Failure to adhere to the installation instructions may cause fires or other hazards.

Connect the 220 V cable to the primary side of the power supply. Connect the secondary side of the power supply to the cable using the terminal block supplied and bearing in mind the correct polarity: red = plus = +, black = minus = -.

**This light is equipped with the following interfaces dimming mode:**

- External power supply       Integrated power supply (In case of integrated power supply, the light is rated IP 20)
- Dimmer with 1–10 V control voltage
- DALI
- Push dim, connection to a switch via cable
- Trailing edge phase dimmer (keep light at full power for approx. 2 min before dimming first time!!)
- Wireless solution with remote control
- RF sender
- No dimmer

See also the enclosed instructions and/or labels on the component housings.

## Operation and care

The outside of the socket may reach temperatures of up to approx. 60°C when in operation. Warning: risk of burning.

All metal surfaces of the light are nickel-plated or made of polished aluminum, and are therefore susceptible to scratches and improper treatment. Polished metal surfaces will gradually oxidise/anodise and develop a patina.

For cleaning we recommend the use of a moist cloth and standard glass care products.

## Technical specifications for each light

Current / voltage	24 V DC	Colour temperature	2,000 - 2,700 K
Power	approx. 14 Watt	Weight	approx. 5 kg
Luminous flux / efficiency	700 lm / 50 lm/W	Dimensions (L x W x H)	approx. 510 x 98 x 75 mm

Lifespan of the LED module: approx. 40,000 hours; can be replaced by an electrician.



Manufacturer:

LCB Manufactur GmbH, Mommsenstr. 65, D-10629 Berlin

p +49 30 91 44 75 62, info@massifcentral.de, www.massifcentral.de