

Installation and care instructions

PAPILLON – WALL LIGHTS

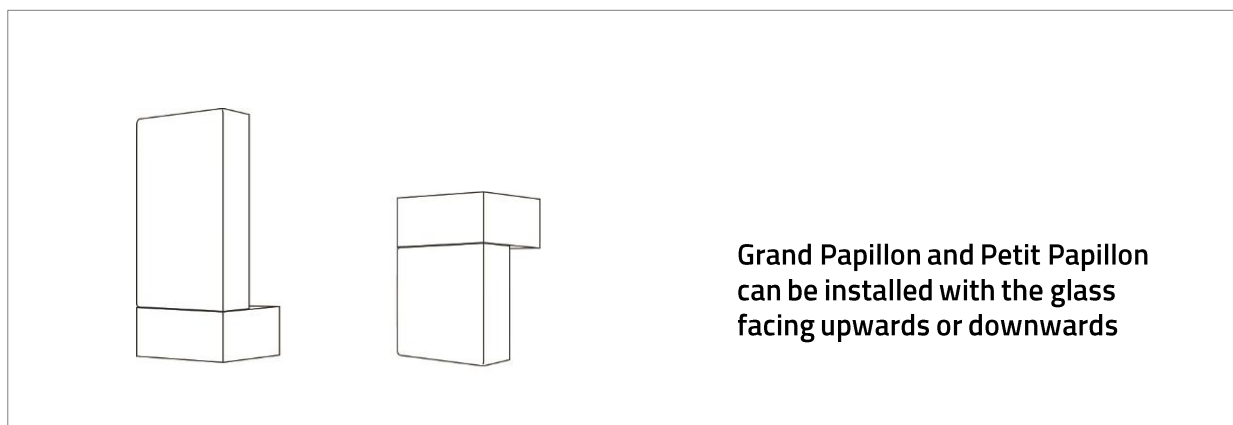


MASSIFCENTRAL

Content

Important information	2
Mounting	3
Electrical connections	4
Operation and care	4
Technical specifications for each light	4

These instructions are valid for Grand Papillon and Petit Papillon



Important information please read carefully prior to assembly!

Each light is subject to quality control and testing before it is dispatched. Please unwrap the components carefully! The polished or nickel-plated metal surfaces of the product are sensitive. Do wear gloves and mount the parts on soft pads like blankets etc.



This is a low-voltage LED light! Always use the included power supply and never connect the light cable directly to the 220 V mains network. This would destroy the light completely.

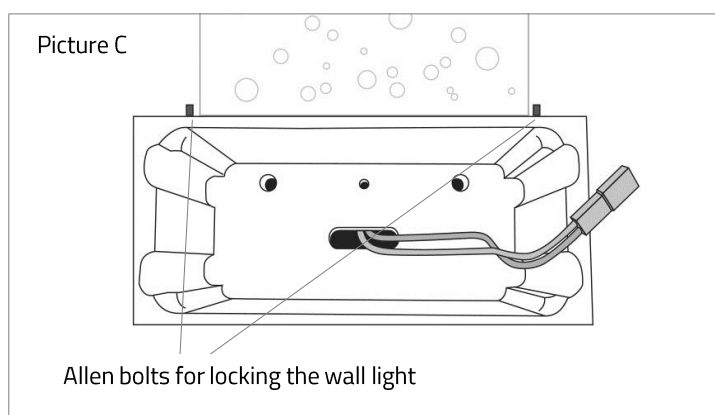
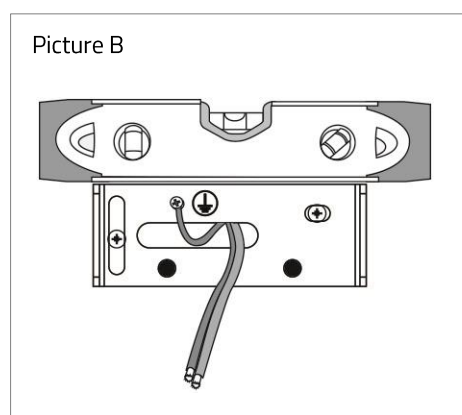
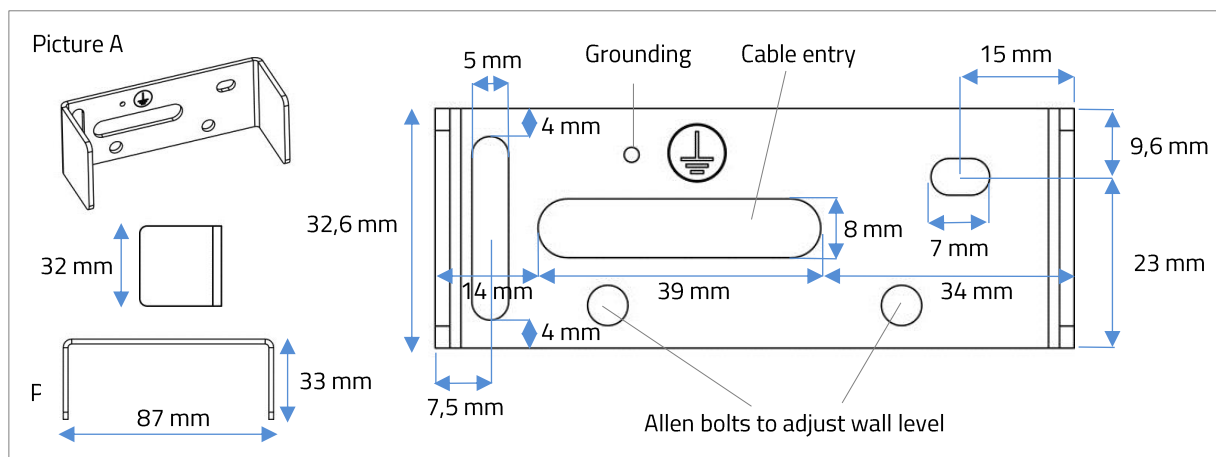
Important! Electrical devices may only be installed and assembled by qualified electricians. Applicable health and safety regulations must be observed. Shut off the mains supply (switch off the automatic circuit breaker) before commencing work on the device in order to prevent electric shocks. Failure to adhere to the installation instructions may cause fires or other hazards.

Important! Do not twist the wire-insulated light cable!

Mounting

If the Papillon will be installed with an external power supply, the power supply can be installed separately inside a flush mount box, either in the wall or near the light switch. The installation distance between the light and the power supply should not exceed a cable length of approx. 20 meters.

1. Loosen the allen bolts on top of the socket until the wall mount can be pulled out of the socket. Pull the wall mount carefully out of the socket.
2. Mount the wall fixture as shown in picture A and B below, note the correct orientation of the wall mount. Orientation of the wall mount must be like in Picture A, no matter the wall light is installed upwards or downwards .
3. To prevent electrical shocks disconnect the mains supply first.
4. Attention: the wall outlet of the cable must be inside the socket (40,8 mm x 93 mm, picture C). Pass the wall cable through the center hole of the wall mount (picture A).
5. In case the wall is not 90° angle or uneven, level the light and the glass parallel to the wall with the 2 black allen bolts screws (see picture A).
6. Connect the wire terminal block with mains supply. Attention! Only when a power supply with black covering is contained in the socket the lighting fixture can be connected directly to 220 V AC (Picture D). If there is no power supply integrated it has to be connected to 24 V DC low voltage only (picture C). The installation should only be done by professional electricians
7. Finally push the socket onto the wall mount and lock the allen bolt screws to fix the socket to the wall mount with enclosed allen bolt driver (Picture C) .



Electrical connection

This is a low-voltage LED light! Always use the included power supply and never connect the light cable directly to the 220 V mains network. This would destroy the light completely.

Important! Electrical devices may only be installed and assembled by qualified electricians. The applicable health and safety regulations must be observed. Shut off the mains supply (switch off the automatic circuit breaker) before commencing work on the device in order to prevent electric shocks. Failure to adhere to the installation instructions may cause fires or other hazards.

Connect the 220 V cable to the primary side of the power supply. Connect the secondary side of the power supply to the cable using the terminal block supplied and bearing in mind the correct polarity: red = plus = +, black = minus = -.

This light is equipped with the following interfaces dimming mode:

- External power supply Integrated power supply (In case of integrated power supply, the light is rated IP 20)
- Dimmer with 1–10 V control voltage
- DALI
- Push dim, connection to a switch via cable
- Phase dimmer (keep light at full power for approx. 2 min before dimming first time!!)
- Wireless solution with remote control
- RF sender
- No dimmer

See also the enclosed instructions and/or labels on the component housings.

Operation and care

The outside of the socket may reach temperatures of up to approx. 60°C when in operation. Warning: risk of burning.

All metal surfaces of the light are nickel-plated or made of polished aluminum, and are therefore susceptible to scratches and improper treatment. Polished metal surfaces will gradually oxidise/anodise and develop a patina.

For cleaning we recommend the use of a moist cloth and standard glass care products.

Technical specifications for each light

Grand Papillon

Voltage	24 V DC (CV)
Power	approx. 7 Watt
Luminous flux / efficiency	350 lm / 50 lm/W

Colour temperature	2.000-2.700 K
Weight	approx. 2,3 kg
Dimensions (LxWxH)	approx. 222 x 98 x 75 mm

Petit Papillon

Voltage	24 V DC (CV)
Power	approx. 7 Watt
Luminous flux / efficiency	350 lm / 50 lm/W

Colour temperature	2.000-2.700 K
Weight	approx. 1,5 kg
Dimensions (LxWxH)	approx. 151 x 98 x 75 mm

Lifespan of the LED module: approx. 40,000 hours; can be replaced by an electrician.



Manufacturer: LCB Manufactur GmbH, Mommsenstr. 65, D-10629 Berlin
 p +49 30 91 44 75 62, info@massifcentral.de, www.massifcentral.de

© 2019, LCB Manufactur GmbH. All rights reserved. These drawings and the information contained herein may not be reproduced, communicated to public or made available in whole or in part without prior permission. Patents issued and pending. Alterations in design, technology and manufacture are subject to change at any time. No guarantee for any typographical errors assumed.