

Instructions for exchange of
LED module, power supply and / or glasses

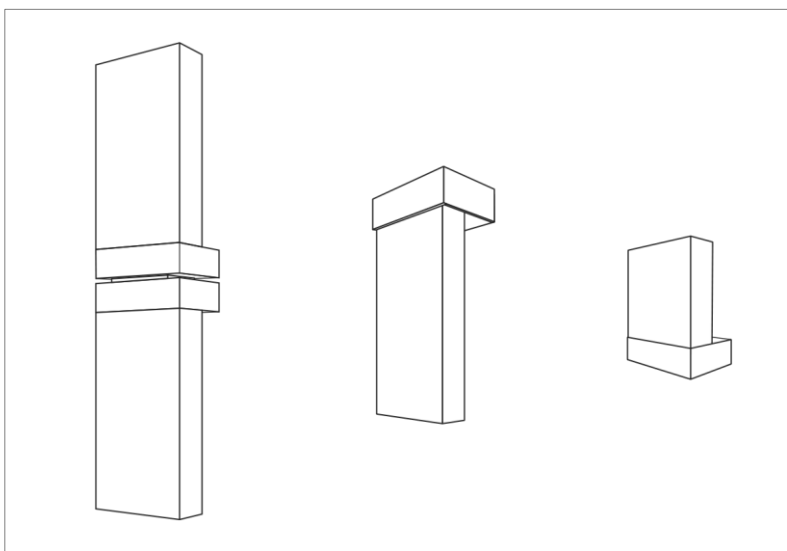
PAPILLON - WALL LIGHTS



Content

Important information	2
Exchange of LED module or power supply GRAND PAPILLON / PETIT PAPILLON	3
Wiring and installation of power supply MB 350	4
Exchange of LED module or power supply GRAND PAPILLON DUO	5

These instructions are valid for Papillon Duo, Grand Papillon and Petit Papillon



Important information please read carefully prior to assembly!

Each light is subject to quality control and testing before it is dispatched. Please handle the components carefully! The polished or nickel-plated metal surfaces of the product are sensitive. Do wear gloves and mount the parts on soft pads like blankets etc.



This is a low-voltage LED light! Always use the included power supply and never connect the LED module cable directly to the 220 V mains network. Danger of life!

Important! Electrical devices may only be installed and assembled by qualified electricians. Applicable health and safety regulations must be observed. Shut off the mains supply (switch off the automatic circuit breaker) before commencing work on the device in order to prevent electric shocks. Failure to adhere to the installation instructions may cause fires or other hazards.



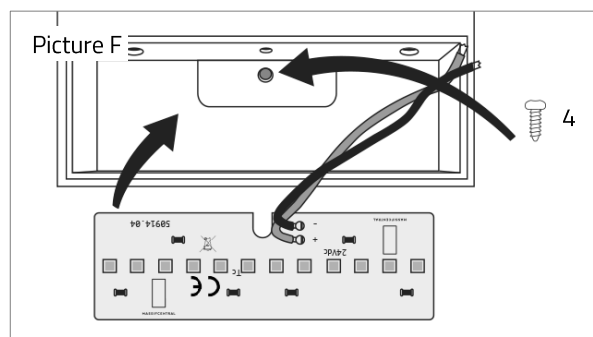
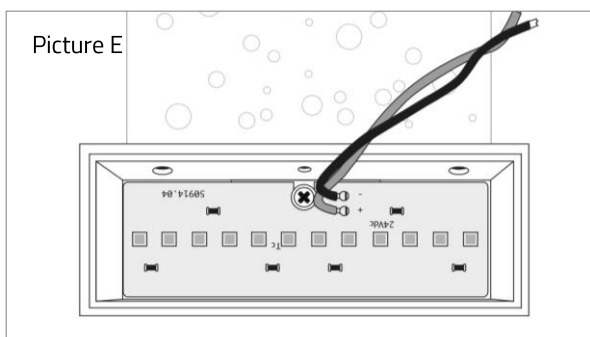
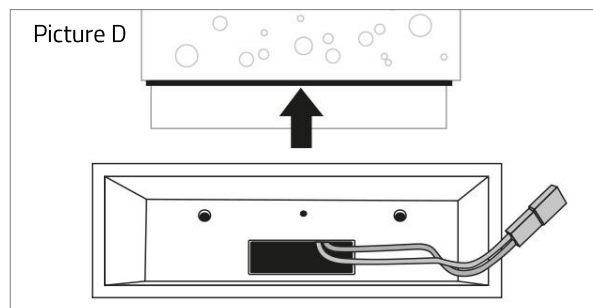
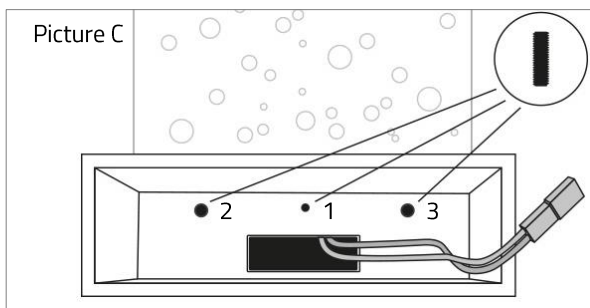
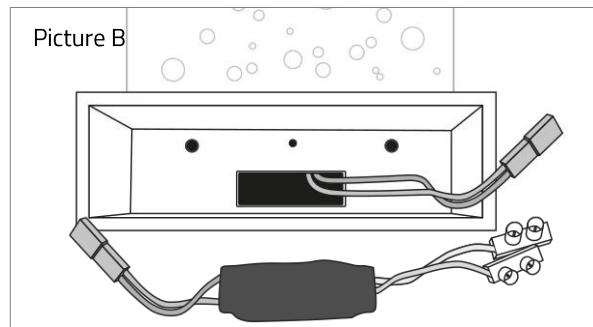
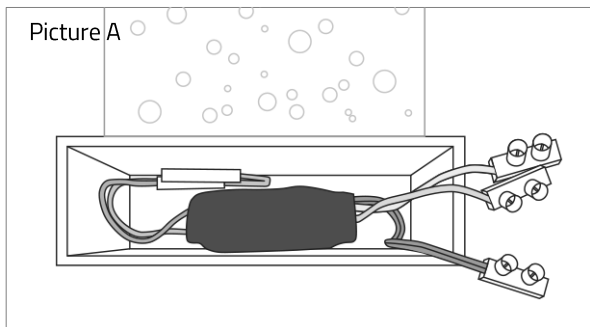
Manufacturer:

LCB Manufactur GmbH, Mommsenstr. 65, D- 10629 Berlin
 p +49 30 91 44 75 62, info@massifcentral.de, www.massifcentral.de

© 2017, LCB Manufactur GmbH. All rights reserved. These drawings and the information contained herein may not be reproduced, communicated to public or made available in whole or in part without prior permission. Patents issued and pending. Alterations in design, technology and manufacture are subject to change at any time. No guarantee for any typographical errors assumed.

GRAND PAPILLON / PETIT PAPILLON

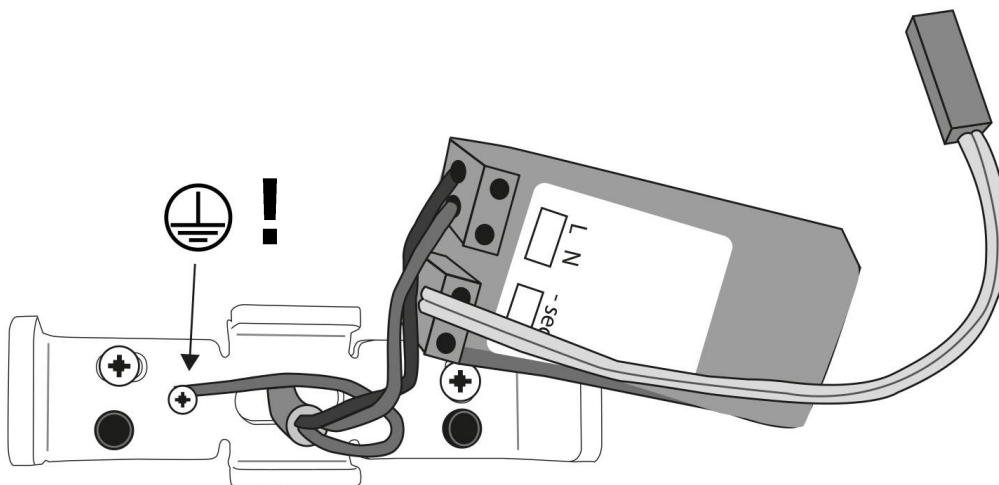
1. Turn off the mains voltage. Unscrew the allen bolt that locks the fixture to the wall and disconnect the power supply from mains voltage supply. Carefully remove the fixture from the wall (Picture A).
2. Disconnect power supply from LED connector and take out the power supply from socket. You will see 3 allen bolts inside the socket (picture A and B).
3. Unscrew the allen bolt (1) in the middle first (with enclosed screwdriver from initial delivery). Unscrew the left and right allen bolts as well (2 and 3). The bolts are secured, they have to be loosened with a jerky movement (power min. 21 Nm). (picture C)
4. Now the glass can be taken out of the socket (Attention to front and rear side!) and you have access to LED module. Attention: do not loose the plastic joint! (picture D)
5. Unfix the screw from LED module and take out LED module. Place exchanged LED module and fix it again with same screw (4) (picture E and F)
6. Putting in the glass again: Attention! Glass has front and rear side, front side has round corners! Do not forget the plastic joint! Carefully fix the allen bolt (2) in the middle first (with enclosed screwdriver from initial delivery) until the head thread is even with surface of socket. Fix the left and right allen bolts as well (3 and 4) until resistance is felt. Do not tighten the bolt too firmly to prevent the glass from being damaged.
7. Connect power supply again with LED module connector and place it as shown into the socket.
8. Proceed with connection with mains voltage supply. Attention! Only certified personnel may connect the power supply with mains voltage!



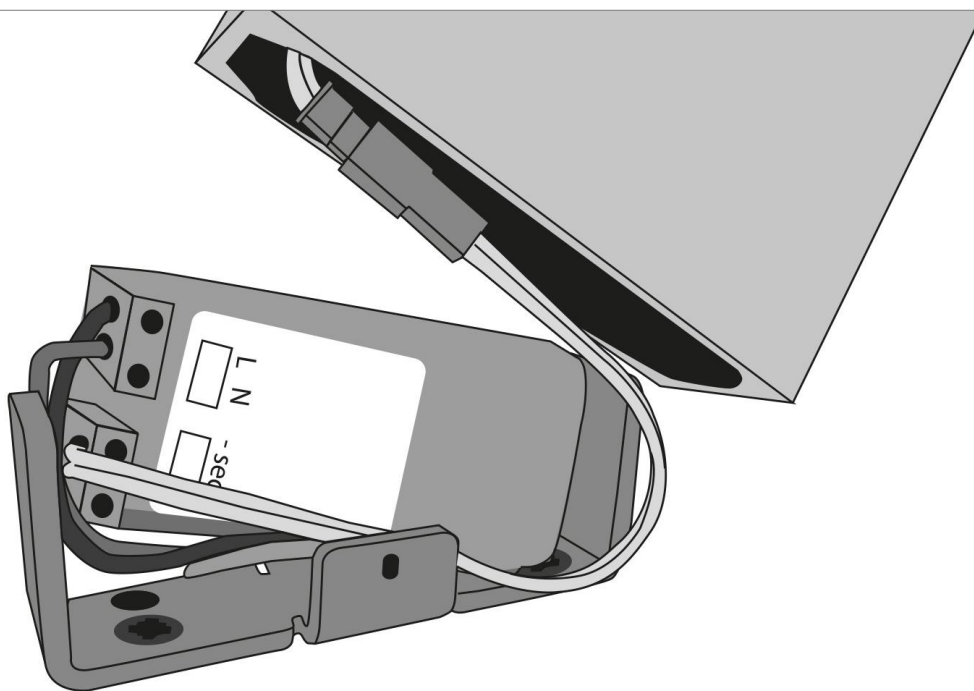
GRAND PAPILLON / PETIT PAPILLON**Wiring and Installation of power supply MB350**

1. Turn off the mains voltage. Connect the power supply to mains voltage supply as seen in picture A.
2. Insert the power supply into the socket as seen in picture B. Attention! Make sure that no cables are damaged when pushing the socket onto the wall mount.

Picture A



Picture B



GRAND PAPILLON DUO

1. Turn off the mains voltage. Unscrew the allen bolt (1) that locks the fixture to the wall and disconnect the power supply from mains voltage supply. Carefully remove the fixture from the wall (Picture A).
2. Disconnect power supply from LED connector and take out the power supply from socket. You will see 3 allen bolts for each glass inside the socket (picture B).
3. Place the luminaire horizontal on a soft material to prevent socket and glass from being damaged. Unscrew the allen bolt (2) in the middle first (with enclosed screwdriver from initial delivery). Unscrew the left and right allen bolts as well (3 and 4). The bolts are secured, they have to be loosened with a jerky movement (power min. 21 Nm). Now the glass can be taken out of the socket (Attention to front and rear side!) and you have access to LED module. Attention: do not loose the plastic joint (Picture C)!
4. Unfix the screw from LED module and take out LED module. Place exchanged LED module (3) and fix it again with same screw (5) (picture D and E).
5. Putting in the glass again: Do not forget the plastic joint! Attention! Glass has front and rear side, front side has round corners (picture F)! Carefully fix the allen bolt (2) in the middle first (with enclosed screwdriver from initial delivery) until the head thread is even with surface of socket. Fix the left and right allen bolts as well (3 and 4) until resistance is felt. Do not tighten the bolt too firmly to prevent the glass from being damaged.
6. Connect power supply again with LED module connector and place it into the socket.
7. Proceed with connection with mains voltage supply. Attention! Only certified personnel may connect the power supply with mains voltage! Fix the luminaire to the wall. Lock the fixture to the wall by fixing the allen bolt (1).

