

PETIT MACHATAU 20 – WALL LIGHT

WALL LIGHT FOR OUTDOOR USE: GLARE-FREE LIGHT, ALSO AVAILABLE IN COLOUR

These functional surface-mounted light fixtures are suitable for use as pilot lights wherever permanent lighting is required but space comes at a premium. With just 5 Watts of power and a height of 30 mm above plaster, these classic lamps permanently illuminate entire staircases or corridors in a discreet and aesthetically pleasing manner. The frame consists of solid, 20 mm wide steel.

Technical specifications

Voltage	24 V DC (CV)	Colour temperature	2,700 K
Power	approx. 5 Watts	Weight	approx. 0.8 kg
Luminous flux / efficiency	200 lm / 40 lm/W	Dimensions (L x W x H)	approx. 131 x 131 x 30 mm

LED modules control the colour of the glass (among other things): “warm white LED”: 2,700 K, > 90 Ra. The glasses are available in the following colours: Amethyst, Mandarin Garnet, Peridot, Sapphire, Tourmalin, Turquoise, Citrin, Smoky Quartz, Amber, Rose Quartz and White. Lifespan of the LED module: approx. 40,000 hours; can be replaced by an electrician.

Control technology

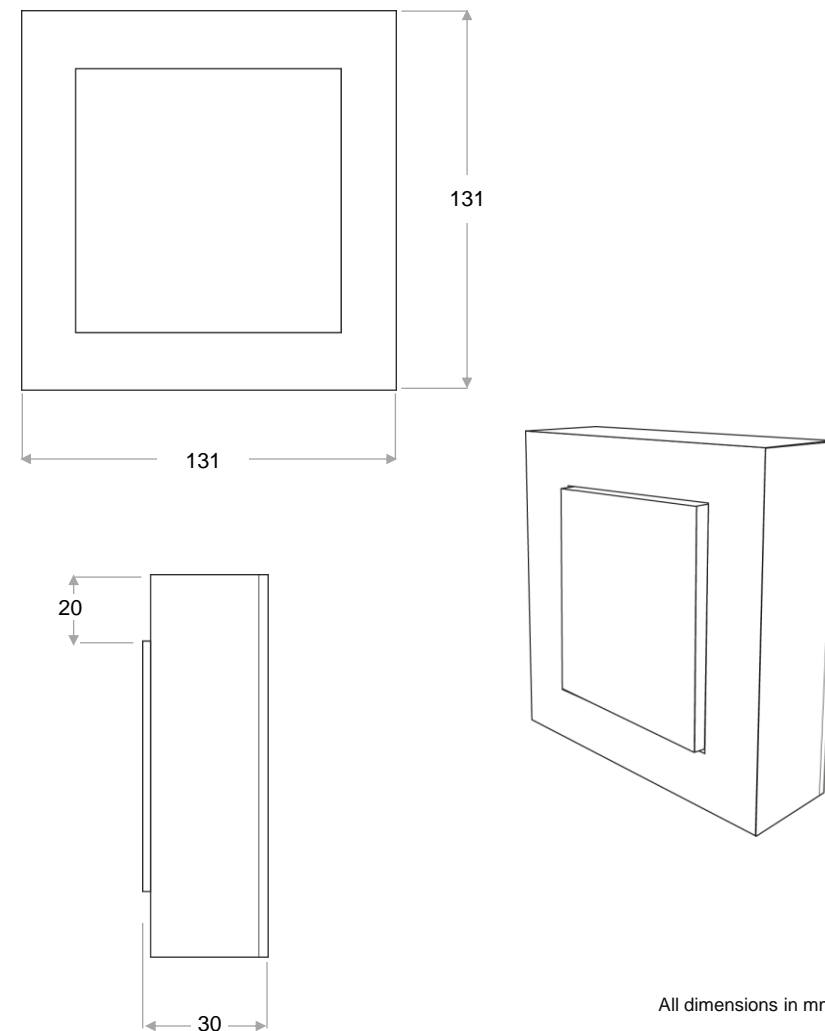
The light fixture is dimmable with interface for trailing edge, 1–10 V, pushdim, remote control, or DALI. Dimmer / power supply units have to be installed externally; switches / controllers to be provided by the customer.

Wall bracket

Completely without screws for a minimalist look. Easy to install: The lamp is simply hung onto the wall via an eyelet and a screw. Optional: Theft protection using a screwdriver system. Space is required behind the lamp to install the connection terminal in the wall.

Material

Please select your preferred surface finish for the socket and wall bracket in the “Material” section of our website.



MASSIFCENTRAL

LCB Manufactur GmbH, Mommsenstr. 65, D-10629 Berlin
Phone +49 30 91 44 75 62, info@massifcentral.de, www.massifcentral.de

© 2018, LCB Manufactur GmbH. All rights reserved. The drawings and information contained herein may not be reproduced, communicated to the public or made available in whole or in part without prior permission. Patents issued and pending. All technical information in this document is subject to change.

