

# GRAND OPERA – WALL LIGHT

## WALL LIGHT WITH A HIGH-POWER LED MODULE AND ROUND SOLID GLASS DIFFUSER MADE OF MINERAL GLASS

The circle symbolises absolute perfection. Stand out through extravagance or bring gently into harmony à la Art Deco: the circular shape of this wall lamp is open to both.

The fitting also functions as a wall bracket, allowing the lamp to float in front of the wall.

### Technical specifications

Voltage	24 V DC	Colour temperature	2,000–2,700K
Power	approx. 10 Watts	Weight	approx. 5 kg
Luminous flux / efficiency	700 lm / 70 lm/W	Dimensions (L x W x H)	230 x 235 x 100

LED modules with various colour temperatures:

“Warm white LED”: 2,700 K, > 90 Ra; “Amber LED”: 2,000 K, > 80 Ra;

“Tuneable white LED”: 2,000–2,700 K (adjustable colour temperature), > 80–>90 Ra.

Lifespan of the LED module: approx. 40,000 hours; can be replaced by electrician.

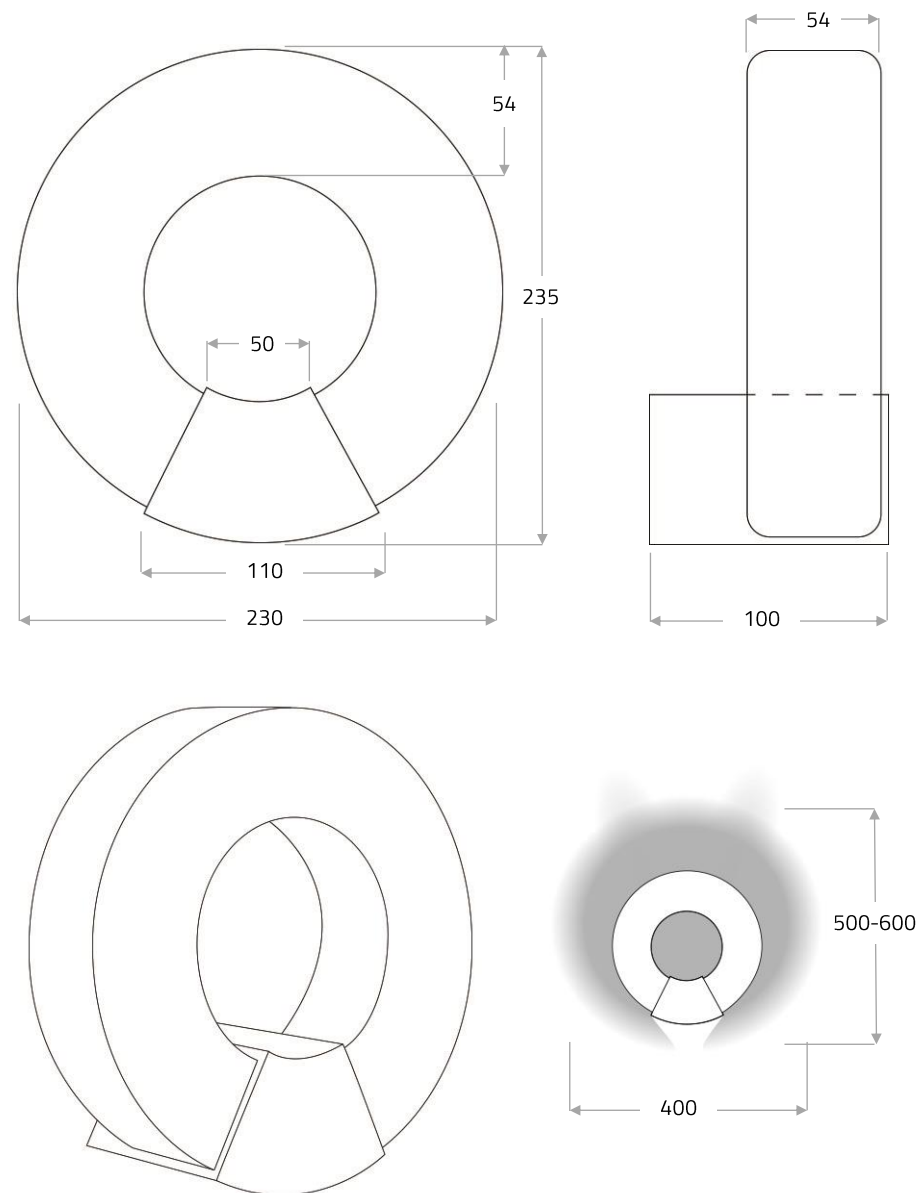
### Control technology

The light fixture is dimmable with interface for phase cut (trailing edge) dimming, 1–10 V, pushdim, pushdim wireless, remote control, DALI or CASAMBI. Phase cut dimming, 1-10 V, pushdim and DALI can be integrated, pushdim wireless, remote control and CASAMBI must be installed externally.

Tuneable white only external power supply. Dimmer / power supply units have to be installed externally. Switches / controllers to be provided by the customer.

### Material

Please select your preferred surface finish for the socket and ceiling bracket in the “Material” section of our website.



All dimensions in mm



MASSIFCENTRAL

LCB Manufactur GmbH, Mommsenstr. 65, D-10629 Berlin  
Phone +49 30 91 44 75 62, info@massifcentral.de, www.massifcentral.de



RoHS



Made in Germany

IP20 / IP 44