

Y-PENDANT LIGHT

PENDANT LIGHT FROM THE IXY SERIES WITH SOLID MINERAL GLASS DIFFUSER

The Y-pendant light is a luminaire from the IXY-series that can be installed in a variety of ways. The luminaire can be installed as a single luminaire or in a group on a standard or a custom-made ceiling mount.

Technical specifications

Voltage	24 V DC	Colour temperature	2,000–2,700 K
Power	approx. 21 Watts	Weight	approx. 10 kg
Luminous flux / efficiency	900 lm / 42 lm/W	Dimensions (L x W x H)	approx. 710 x 710 x 40 mm

LED modules with various colour temperatures:

“Tuneable white LED”: 2,000–2,700 K (adjustable colour temperature), > 80–>90 Ra.

Lifespan of the LED module: approx. 40,000 hours; can be replaced by electrician.

Control technology

The light fixture is dimmable with interface for remote control or DALI. Dimmer / power supply units have to be installed externally; switches / controllers to be provided by the customer.

Ceiling bracket

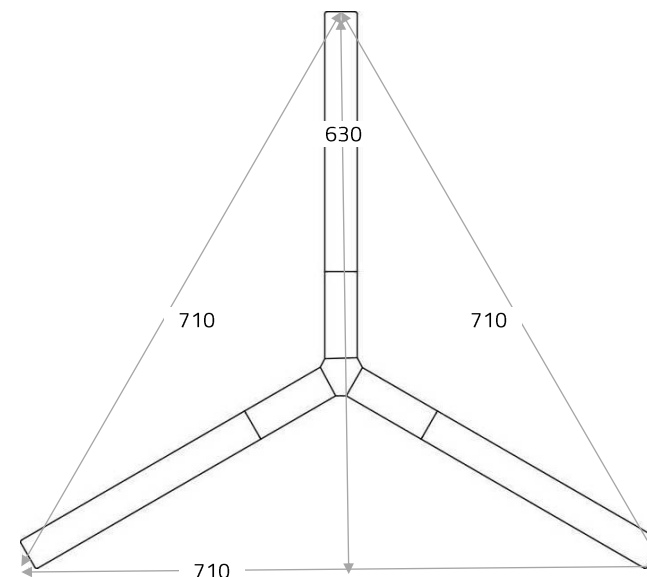
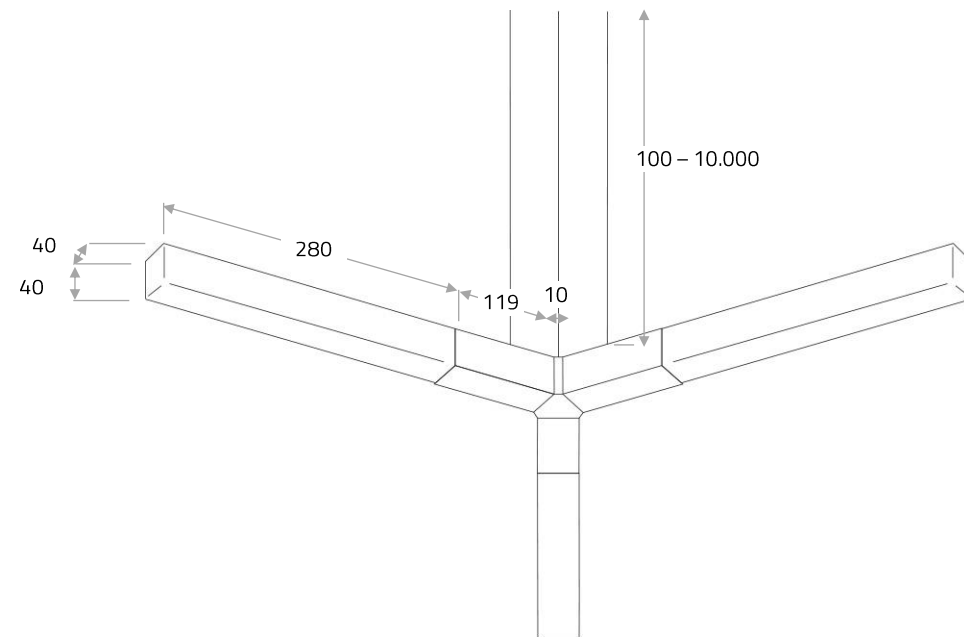
Standard ceiling bracket approx. \varnothing 350 mm to accommodate the power pack.

3 cables approx. \varnothing 1.4 mm, standard cable length 3 m.

Material

There is a reflector surface on the upper side of the glass.

Please select your preferred surface finish for the socket and ceiling bracket in the “Material” section of our website.



All dimensions in mm



Massifcentral Manufactur GmbH, Eiswerderstr. 16, D-13585 Berlin

MASSIFCENTRAL

Phone +49 (0)30 33 30 80 30 00, info@massifcentral.de, www.massifcentral.de

