

CASINO CHANDELIER – 26 GLASSES – PENDANT LIGHT

CASINO CHANDELIER WITH 26 GLASSES (EXAMPLE IN RECTANGLE SHAPE)

CASINO profile with 26 glasses (e.g. 11 glasses long sides and 2 glasses short sides) and 4 suspensions. Particularly well suited for bars, reception areas, kitchen islands, dining tables, mirrors in bathrooms or conference environments.

Technical specifications

Voltage	24 V DC (CV)	Colour temperature	2,000–2,700 K
Power	approx. 100 Watts	Weight	approx. 60 kg
Luminous flux / efficiency	5,000 lm / 50 lm/W	Dimensions (LxWxH)	approx. 1,029 x 250 x 216

LED modules with various colour temperatures:

“Tuneable white LED”: 2,000–2,700 K (adjustable colour temperature), > 80–>90 Ra.

“Warm white LED”: 2,700 K, > 90 Ra; “Amber LED”: 2,400 K, > 80 Ra; Can be combined with glass colours: Amethyst, Mandarin Garnet, Peridot, Sapphire, Tourmalin, Turquoise, Citrin, Smoky Quartz, Amber und Rose Quartz.

Lifespan of the LED module: approx. 40,000 hours; can be replaced at manufacture.

Control technology

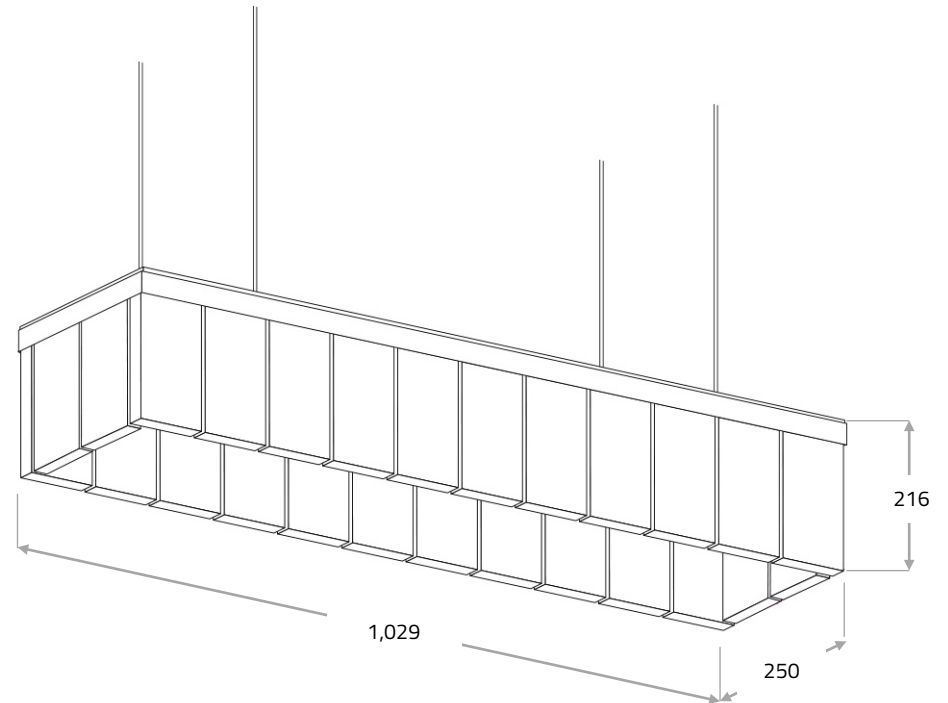
The light fixture is dimmable with interface for phase cut (trailing edge) dimming, 1–10 V, pushdim, remote control, DALI, or CASAMBI. control. Dimmer / power supplies must be installed externally; switches / controllers to be provided by the customer.

Ceiling bracket / cable

Suspension usually with wire-insulated, tin-plated tensile cable (diameter: 4.0 or 6.3 mm), depending on size a solution with pipes may be recommendable; maximum distance between two ceiling brackets 2 m. Standard cable length of wire up 2 m, individual cable length up to 20 m. Custom ceiling bracket to be specified.

Material

Please select your preferred surface finish for the socket and ceiling bracket in the “Material” section of our website.



Example of a combination of several casino elements
The CASINO can be manufactured in different shapes., basic segment width 93 mm.

All dimensions in mm

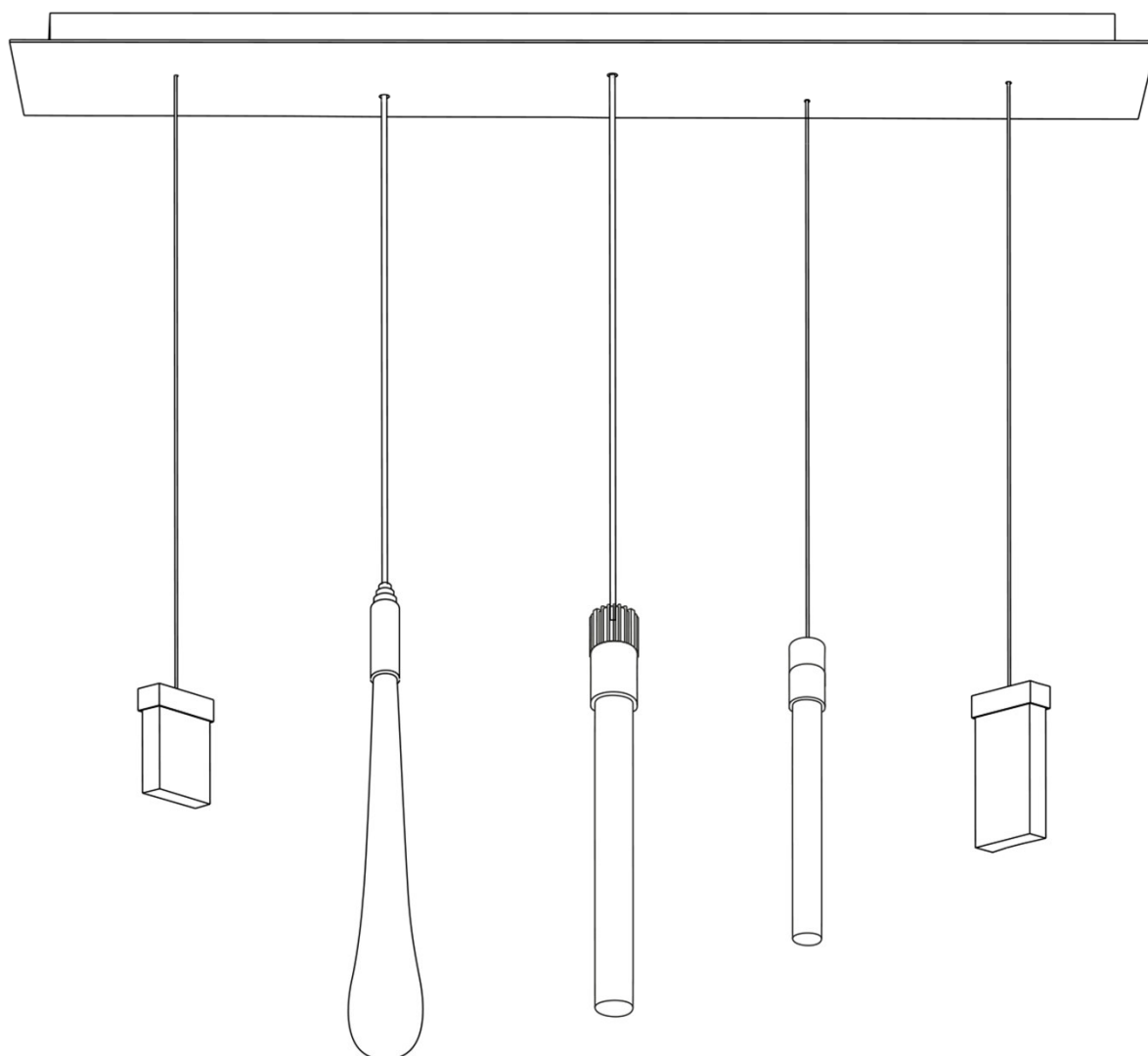


Massifcentral Manufactur GmbH, Eiswerderstr. 16, D-13585 Berlin

MASSIFCENTRAL

Phone +49 (0)30 33 30 80 30 00, info@massifcentral.de, www.massifcentral.de





Installation and care instructions

CEILING BRACKET CANOPY (DB BAL)



MASSIFCENTRAL

Content

Important information	2
Mounting	3
Electrical connections	4
Operation and care	4
Technical specifications	4

This instruction is valid for canopies for:

GRAND CRU, PETIT CRU, FLEUVE, GRAND PISTON und PETIT PISTON

Important information please read carefully prior to assembly!

Each light is subject to quality control and testing before it is dispatched. Please unwrap the components carefully! The polished or nickel-plated metal surfaces of the product are sensitive. Do wear gloves and mount the parts on soft pads like blankets etc. The glass is sensitive to hits and may be damaged or scratched when handling is not gentle. Leave the bubble foil on the glasses as long as possible to prevent damages during the mounting procedure.



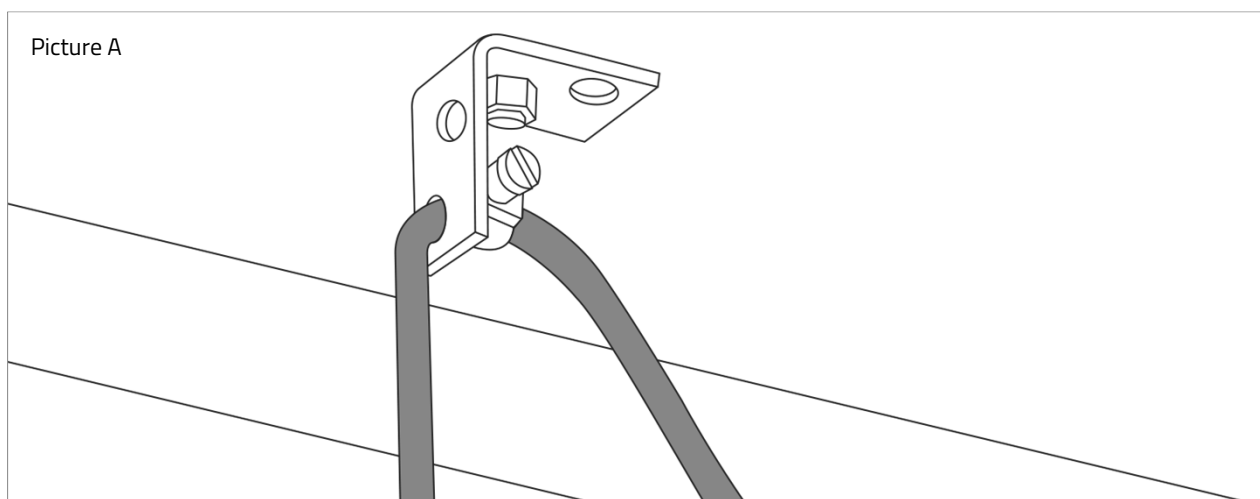
This is a low-voltage LED light! Always use the included power supply and never connect the light cable directly to the 220 V mains network. This would destroy the light completely.

Important! Electrical devices may only be installed and assembled by qualified electricians. Applicable health and safety regulations must be observed. Shut off the mains supply (switch off the automatic circuit breaker) before commencing work on the device in order to prevent electric shocks. Failure to adhere to the installation instructions may cause fires or other hazards.

Important! Do not twist the wire-insulated light cable!

Mounting

1. Unlock the canopy plate which in delivery status is screwed to the canopy box by removing the lateral screws in the shadow gap area of the box (black side). Keep the screws in a safe place, you will need them for final installation! If canopy box is screwed to wooden crate remove screws as well.
2. Mounting of the canopy box: pass through the electrical cable from the ceiling into the box at appropriate position and fix the canopy box to the ceiling with included screws. Make sure the ceiling structure and pegs will support the heavy weight of the canopy. Please find the total weight of light fitting in packing list.
3. Mounting of the canopy plate: the canopy and the box have corresponding assembly jigs. For feasible installation, the box has preinstalled cables to be passed through the mounting angles of the canopy, these are marked with "MH" (for "mounting help"). Fix cables with brass blockers in appropriate height so that the canopy plate will be kept suspended "in the air" right below the canopy box during installation with approx. distance of 30-50 cm to the box/ceiling. Now you can mount the cables of the CRU-lights and connect the cables inside the box.
4. Mounting of the CRU-lights: the holes have corresponding numbers on the back of the canopy plate and in the box, make sure both holes match. The cables have to be passed from below through the holes in the canopy plate. Then pass the cable through the hole in canopy box of the corresponding angle. **Attention!** Make sure the cable is passed in the angle from the outside face of the angle, otherwise the canopy can not be mounted (see picture A). **Fix the position of pendant lights with included brass cable blockers using a screwdriver. Attention: tighten the screws gentle (hand-tight) as otherwise cables may be damaged .**
5. If ordered by customer, the cables may have a mark at appropriate position to help to find the exact position. In this case, please refer to the numbers on the cables and corresponding holes of the canopy. Make sure the owner is aware of the hanging distribution! Once the lights have been installed you connect all lights to the delivered blocks. Prevent the metallic wire insulation from producing short circuits in the box when connected to the blocks!
6. Make sure that the orientation of glasses will face in the right direction according to random or strict hanging. The cables are rigid, so the position of the glass has to be controlled at the hook by turning the cable in the right position and NOT by turning the cable at the socket (which may be damaged!). This step should be done before connecting the cables to the power supply as it will be much easier than after the next step.
7. The electronic devices can be mounted inside the canopy box or are delivered as external devices. Attention: Installation only to be executed by professionals as wiring may be a mains cable with 110 /220 Voltage, Danger of Life! Shut down the circuit breakers before handling! Connect the cables to the power supply by using the pre-installed terminal blocks (see Electrical connections next page). After connecting all the cables to the blocks carry out a performance test.
8. Finally push up the canopy plate upwards to the canopy box and fix it by using the black screws connecting both parts through the lateral angles/fixtures inside the box. You may need a magnified screwdriver to point the screws to the holes inside the canopy box. When canopy is fixed with magnets push plate upwards until it is fixed to the canopy box.



Electrical connections

This is a low-voltage LED light! Always use the included power supply and never connect the light cable directly to the 220 V mains network. This would destroy the light completely.

Important! Electrical devices may only be installed and assembled by qualified electricians. The applicable health and safety regulations must be observed. Shut off the mains supply (switch off the automatic circuit breaker) before commencing work on the device in order to prevent electric shocks. Failure to adhere to the installation instructions may cause fires or other hazards.

Connect the 220 V cable to the primary side of the power supply. Connect the secondary side of the power supply to the cable using the terminal block supplied and bearing in mind the correct polarity: red = plus = +, black = minus = -.

This light is equipped with the following interfaces dimming mode:

- | | |
|---|--|
| <input type="checkbox"/> External power supply | <input type="checkbox"/> Integrated power supply |
| <input type="checkbox"/> Dimmer with 1–10 V control voltage | |
| <input type="checkbox"/> DALI | |
| <input type="checkbox"/> Push dim, connection to a switch via cable | |
| <input type="checkbox"/> Phase dimmer | |
| <input type="checkbox"/> Wireless solution with remote control | |
| <input type="checkbox"/> RF sender | |
| <input type="checkbox"/> No dimmer | |

See also the enclosed instructions and/or labels on the component housings.

Operation and care

The outside of the socket may reach temperatures of up to approx. 60°C when in operation. Warning: risk of burning.

All metal surfaces of the light are nickel-plated or made of polished aluminum, and are therefore susceptible to scratches and improper treatment. Polished metal surfaces will gradually oxidise/anodise and develop a patina.

For cleaning we recommend the use of a moist cloth and standard glass care products.

Technical specifications

See attached datasheet.



Manufacturer:

Massifcentral Manufactur GmbH, Eiswerderstr. 16, D-13585 Berlin
p +49 (0)30 33 30 80 30 00, info@massifcentral.de, www.massifcentral.de