

# CASINO CHANDELIER – 38 GLASSES – PENDANT LIGHT

## CASINO CHANDELIER WITH 38 GLASSES (EXAMPLE IN RECTANGLE SHAPE)

CASINO profile with 38 glasses (e.g. 15 glasses long sides and 4 glasses short sides) and 4 suspensions. Particularly well suited for bars, reception areas, kitchen islands, dining tables, mirrors in bathrooms or conference environments.

### Technical specifications

Voltage	24 V DC (CV)	Colour temperature	2,000–2,700 K
Power	approx. 150 Watts	Weight	approx. 80 kg
Luminous flux / efficiency	7,500 lm / 50 lm/W	Dimensions (LxWxH)	approx. 1,401 x 436 x 216

LED modules with various colour temperatures:

“Tuneable white LED”: 2,000–2,700 K (adjustable colour temperature), > 80–>90 Ra.

“Warm white LED”: 2,700 K, > 90 Ra; “Amber LED”: 2,400 K, > 80 Ra; Can be combined with glass colours: Amethyst, Mandarin Garnet, Peridot, Sapphire, Tourmalin, Turquoise, Citrin, Smoky Quartz, Amber und Rose Quartz.

Lifespan of the LED module: approx. 40,000 hours; can be replaced at manufacture.

### Control technology

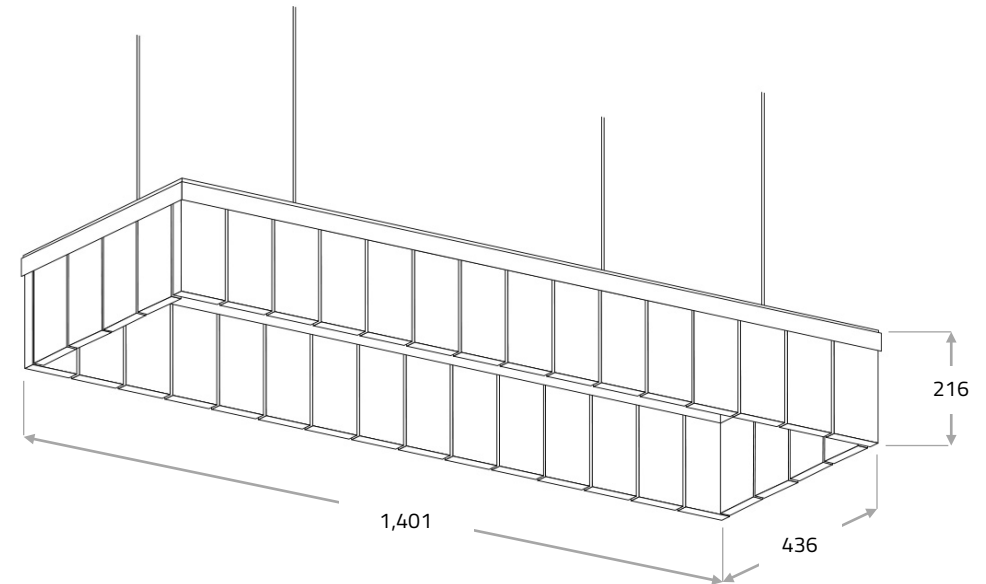
The light fixture is dimmable with interface for phase cut (trailing edge) dimming, 1–10 V, pushdim, remote control, DALI, or CASAMBI control. Dimmer / power supplies must be installed externally; switches / controllers to be provided by the customer.

### Ceiling bracket / cable

Suspension usually with wire-insulated, tin-plated tensile cable (diameter: 4.0 or 6.3 mm), depending on size a solution with pipes may be recommendable; maximum distance between two ceiling brackets 2 m. Standard cable length of wire up 2 m, individual cable length up to 20 m. Custom ceiling bracket to be specified.

### Material

Please select your preferred surface finish for the socket and ceiling bracket in the “Material” section of our website.



Example of a combination of several casino elements  
The CASINO can be manufactured in different shapes., basic segment width 93 mm.

All dimensions in mm



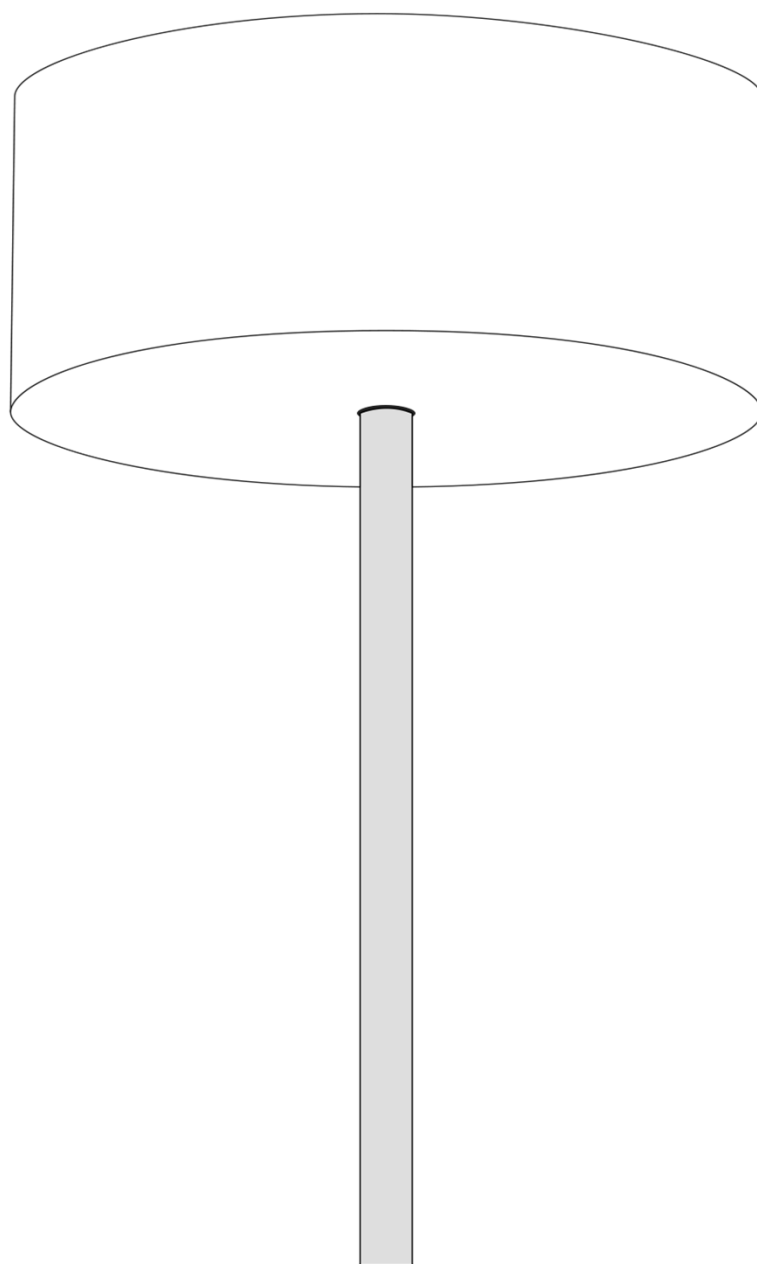
MASSIFCENTRAL

Massifcentral Manufactur GmbH, Eiswerderstr. 16, D-13585 Berlin

Phone +49 (0)30 33 30 80 30 00, info@massifcentral.de, www.massifcentral.de

© 2022, Massifcentral Manufactur GmbH. All rights reserved. The drawings and information contained herein may not be reproduced, communicated to the public or made available in whole or in part without prior permission. Patents issued and pending. All technical information in this document is subject to change.





Installation and care instructions

**DB 080**  
**CEILING BRACKET**



MASSIFCENTRAL

## Content

Important information	2
Mounting	3
Care	4

### Important information please read carefully prior to assembly!

Each ceiling bracket is subject to quality control and testing before it is dispatched. Please unwrap the components carefully! The polished or nickel-plated metal surfaces of the product are sensitive. Do wear gloves and mount the parts on soft pads like blankets etc. The glass is sensitive to hits and may be damaged or scratched when handling is not gentle. Leave the bubble foil on the glasses as long as possible to prevent damages during the mounting procedure.



This is a low-voltage LED light! Always use the included power supply and never connect the light cable directly to the 220 V mains network. This would destroy the light completely.

**Important!** Electrical devices may only be installed and assembled by qualified electricians. Applicable health and safety regulations must be observed. Shut off the mains supply (switch off the automatic circuit breaker) before commencing work on the device in order to prevent electric shocks. Failure to adhere to the installation instructions may cause fires or other hazards.

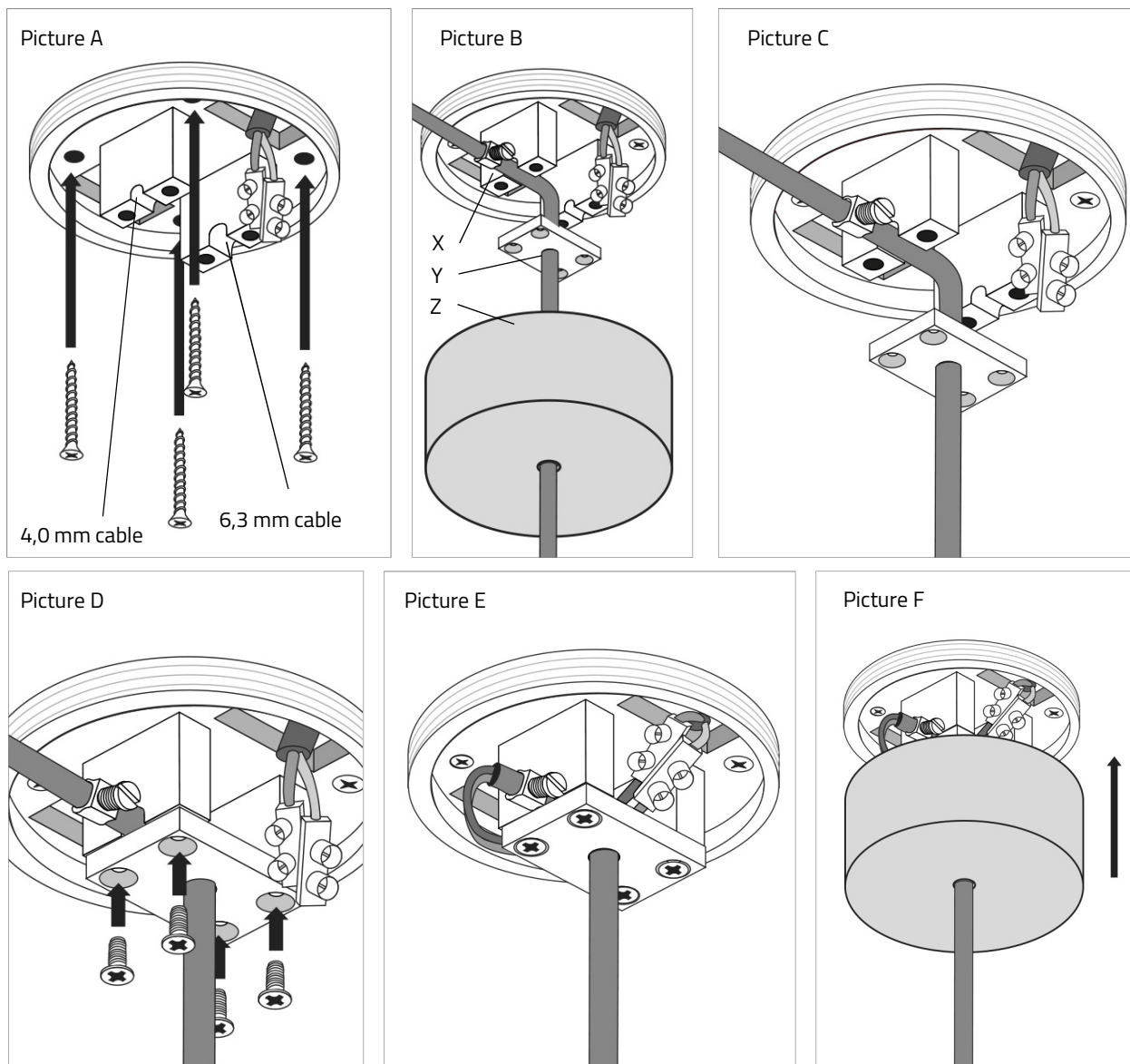
**Important!** Do not twist the wire-insulated light cable!

## Mounting

The pre-assembled ceiling mount DB 080 consists of a ceiling mount, a cable clamp and a customized ceiling rosette / cover with a diameter of 80 mm and a height of 35 mm. There are 2 alternative cable feedthroughs for 4,0 mm and 6,3 mm cables (picture A).

**Important: to prevent electric shock, disconnect the mains supply before working on the device.**

1. Fix the ceiling ring to the ceiling using wall plugs and screws supplied. Prepare the conducting cable for installation (picture A). Thread the ceiling rosette (Z), the covering plate of the ceiling mount (Y) and the cable clamp (X) over the cable of the luminaire (picture B). Define the cable length to the luminaire and push up the covering plate until it can be fixed to the ceiling ring. For this lead the cable through the designated opening. Attention: choose opening pursuant to cable thickness (picture C und D).
2. Push the cable clamp on the cable close to the cable feedthrough and fix it. **Attention: Do not screw too tight! The screws may damage the electrical cables inside.** Prepare the cable of the luminaire for installation by stripping the cable behind the cable clamp. Lead the stripped cables through the mount and connect cables using terminal block. (picture E).
3. Push up the ceiling rosette and fix it to the ceiling ring (picture F).



## Care

The ceiling rose is varnished, nickel-plated or made of polished aluminum, and therefore is susceptible to scratches and improper treatment. Polished metal surfaces will gradually oxidise/anodise and develop a patina.

For cleaning we recommend the use of a moist cloth and standard glass care products.



Manufacturer:

Massifcentral Manufactur GmbH, Eiswerderstr. 16, D-13585 Berlin  
p +49 (0)30 33 30 80 30 00, info@massifcentral.de, www.massifcentral.de

© 2022, Massifcentral Manufactur GmbH. All rights reserved. These drawings and the information contained herein may not be reproduced, communicated to public or made available in whole or in part without prior permission. Patents issued and pending. Alterations in design, technology and manufacture are subject to change at any time. No guarantee for any typographical errors assumed.