

# GRAND CRU SOLITAIRE – PENDANT LIGHT

## PENDANT LIGHT WITH A HIGH-POWER LED MODULE AND SOLID GLASS DIFFUSER MADE OF MINERAL GLASS

The GRAND CRU SOLITAIRE is a light module which can be installed in many different ways. The light fixture can be hung as a single pendant or as a cluster using individual or bespoke ceiling brackets.

### Technical specifications

|                            |                  |                        |                          |
|----------------------------|------------------|------------------------|--------------------------|
| Voltage                    | 24 V DC (CV)     | Colour temperature     | 2,000–2,700 K            |
| Power                      | approx. 7 Watts  | Weight                 | approx. 1.6 kg           |
| Luminous flux / efficiency | 350 lm / 50 lm/W | Dimensions (L x W x H) | approx. 200 x 94 x 35 mm |

LED modules with various colour temperatures:

“Warm white LED”: 2,700 K, > 90 Ra; “Amber LED”: 2,400 K, > 80 Ra;

“Tuneable white LED”: 2,000–2,700 K (adjustable colour temperature), > 80–>90 Ra.

Lifespan of the LED module: approx. 40,000 hours; can be replaced by electrician.

The glass bodies are also available in the colours Amethyst, Mandarin Garnet, Peridot, Sapphire, Tourmalin, Turquoise, Citrin, Smoky Quartz, Amber und Rose Quartz.

### Control technology

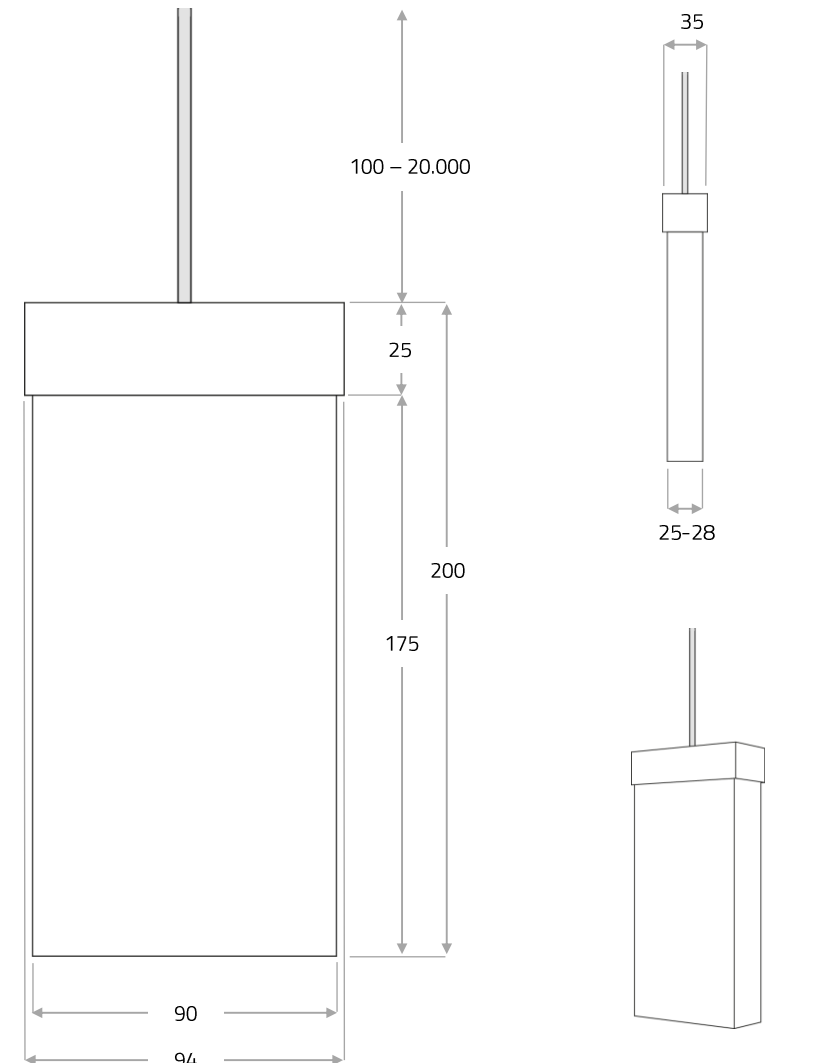
The light fixture is dimmable with interface for phase cut (trailing edge) dimming, 1–10 V, pushdim, remote control, or DALI. Dimmer / power supply units have to be installed externally. Switches / controllers to be provided by the customer.

### Ceiling bracket / cable

DB 055, DB 060, DB 080 surface-mounted. DB 032 and DB 075 flush-mounted. The cable consists of wire-coated, tin-plated steel mesh (outer diameter: 4.0 mm or 6.3 mm). Standard cable length 2 m, individual cable length up to 20 m.

### Material

Please select your preferred surface finish for the socket and ceiling bracket in the “Material” section of our website.



All dimensions in mm

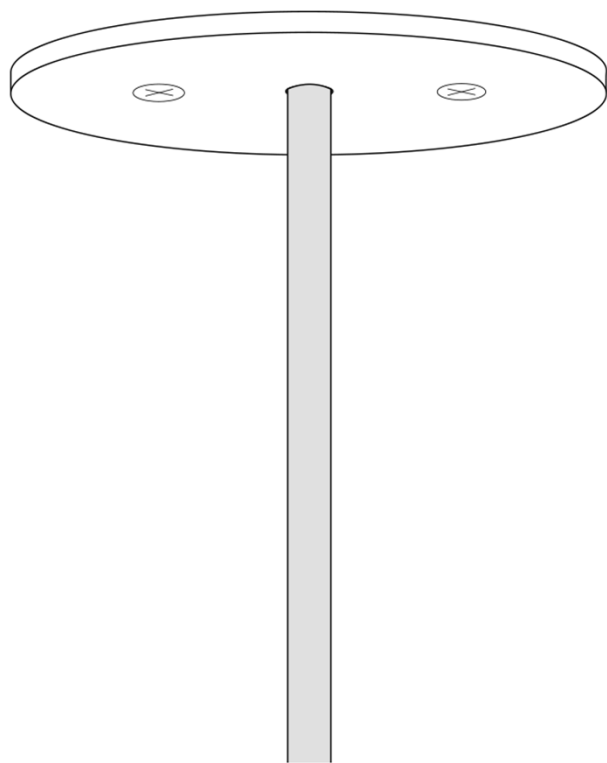


MASSIFCENTRAL

LCB Manufactur GmbH, Eiswerderstr. 16, D-13585 Berlin

Phone +49 (0)30 33 30 80 30 00, info@massifcentral.de, www.massifcentral.de





Installation and care instructions

**DB 075**  
**CEILING BRACKET**



MASSIFCENTRAL

## Content

|                       |   |
|-----------------------|---|
| Important information | 2 |
| Mounting              | 3 |
| Care                  | 4 |

## Important information please read carefully prior to assembly!

Each ceiling bracket is subject to quality control and testing before it is dispatched. Please unwrap the components carefully! The polished or nickel-plated metal surfaces of the product are sensitive. Do wear gloves and mount the parts on soft pads like blankets etc. The glass is sensitive to hits and may be damaged or scratched when handling is not gentle. Leave the bubble foil on the glasses as long as possible to prevent damages during the mounting procedure.



This is a low-voltage LED light! Always use the included power supply and never connect the light cable directly to the 220 V mains network. This would destroy the light completely.

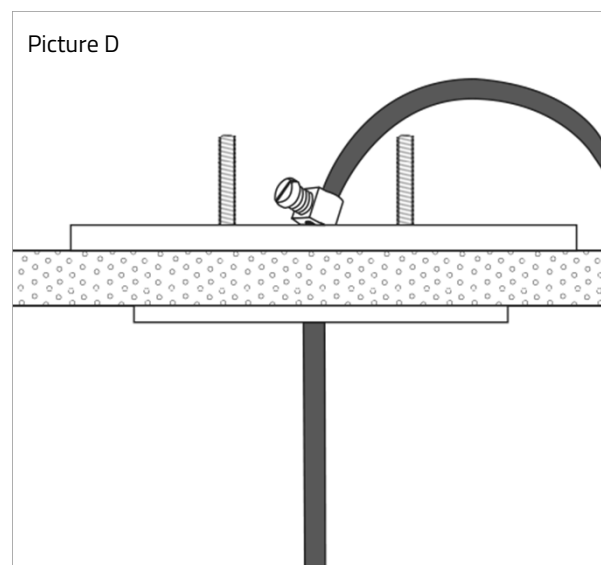
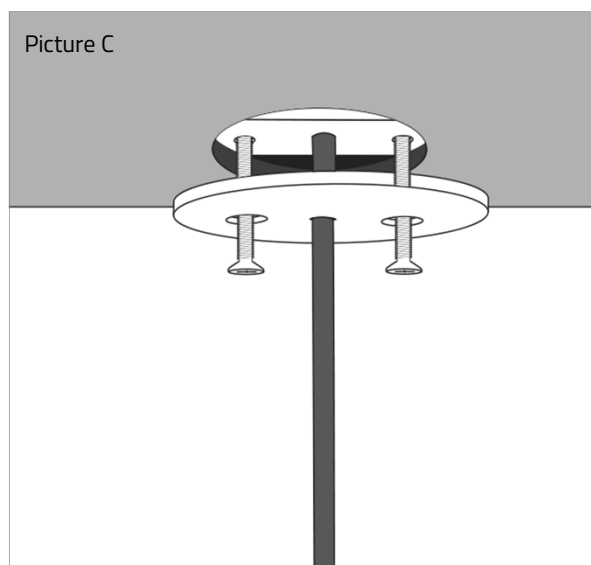
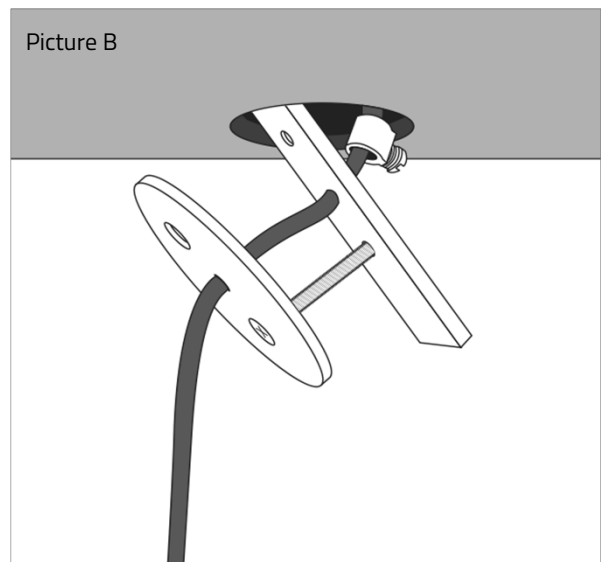
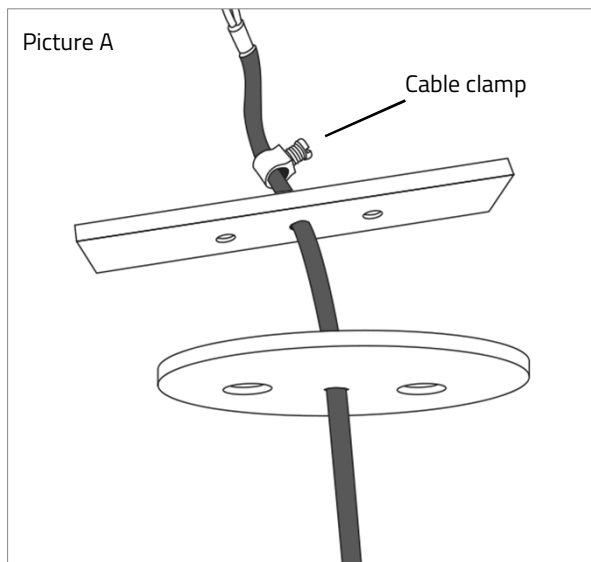
**Important!** Electrical devices may only be installed and assembled by qualified electricians. Applicable health and safety regulations must be observed. Shut off the mains supply (switch off the automatic circuit breaker) before commencing work on the device in order to prevent electric shocks. Failure to adhere to the installation instructions may cause fires or other hazards.

**Important!** Do not twist the wire-insulated light cable!

## Mounting

The DB 075 ceiling bracket is made for suspended ceilings and consists of a cable clamp, a holder and a ceiling rose.

1. Cut the wire-insulated cable to length and prepare the cable ends for the terminal block. Shut off the mains supply before commencing work on the device in order to prevent electric shocks.
2. Thread the ceiling rose, the holder and the cable clamp over the cable and define cable length to the lighting fixture by locking the cable in the required position using the cable clamp supplied with a screwdriver. Do not screw the cable clamps too tight! The screws may damage the electrical cables inside (Picture A).
3. Connect cables using terminal block.
4. Pass the holder through the hole in the ceiling. The hole must be at least 55 mm in diameter (Picture B).
5. Screw ceiling rose to the holder by using screws supplied (Picture C and D).



## Care

The ceiling rose is varnished, nickel-plated or made of polished aluminum, and therefore is susceptible to scratches and improper treatment. Polished metal surfaces will gradually oxidise/anodise and develop a patina.

For cleaning we recommend the use of a moist cloth and standard glass care products.



Manufacturer:

LCB Manufactur GmbH, Eiswerderstr. 16, D-13585 Berlin

p +49 (0)30 33 30 80 30 00, [info@massifcentral.de](mailto:info@massifcentral.de), [www.massifcentral.de](http://www.massifcentral.de)

© 2021, LCB Manufactur GmbH. All rights reserved. These drawings and the information contained herein may not be reproduced, communicated to public or made available in whole or in part without prior permission. Patents issued and pending. Alterations in design, technology and manufacture are subject to change at any time. No guarantee for any typographical errors assumed.