

GRAND PISTON – PENDANT LIGHT

SOLID CRAFTED GLASS CYLINDER WITH COOLING SOCKET AND HIGH-POWER LED AS A PENDANT LIGHT

A lighting fixture with a strong personality thanks to its perfect design and high-tech cooler.

Since the cylinders are handmade and each piece is unique, the length of the drops and other features vary. Median length incl. socket: approx. 500 mm (with a max. tolerance of +/- 20 %). Outer diameter of the glass: approx. 50 mm; outer diameter of the socket: approx. 60 mm. The glass length can be customised.

Technical specifications

Voltage	24 V DC (CV)	Colour temperature	2,000–3,000 K
Power	approx. 15 Watts	Weight	approx. 5–6 kg
Luminous flux / efficiency	430 lm / 29 lm/W	Dimensions (L x W x H)	approx. 60 x 60 x 500 mm

LED modules with various colour temperatures:

“Warm white (COB) LED”: 2,500 K, > 90 Ra; “Amber (COB) LED”: 2,000 K, > 80 Ra;

“Tuneable white LED”: 2,000–3,000 K (adjustable colour temperature), > 80–>90 Ra.

Lifespan of the LED module: approx. 40,000 hours; can be replaced by electrician.

Control technology

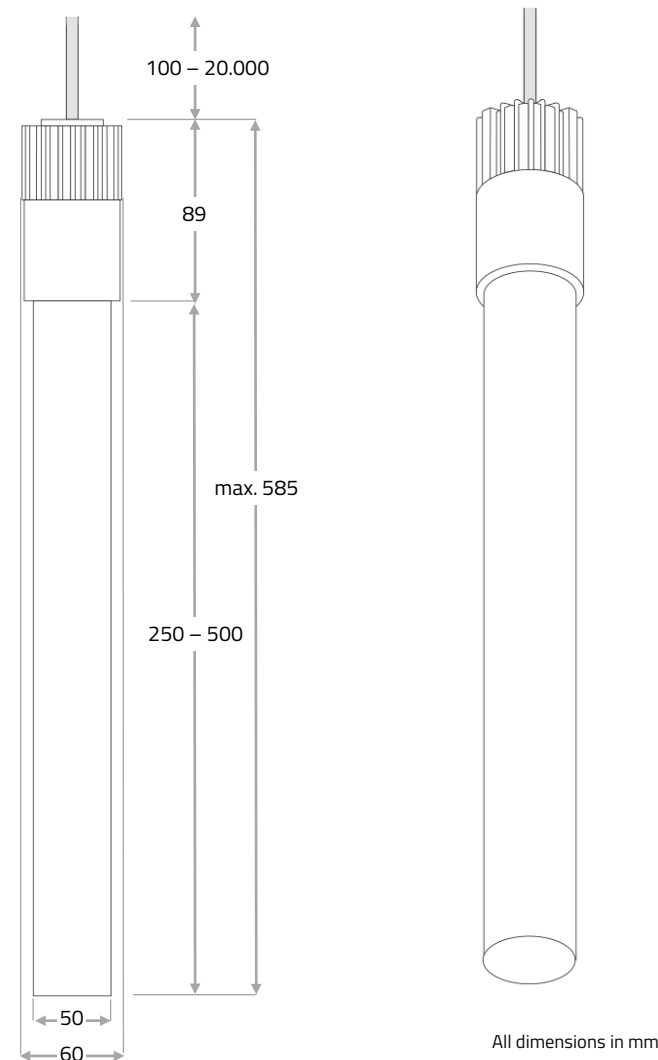
The light fixture is dimmable with interface for phase cut (trailing edge) dimming, 1–10 V, pushdim, remote control, DALI, or CASAMBI. Dimmer / power supply units have to be installed externally; switches / controllers to be provided by the customer.

Ceiling bracket / cable

DB 060 surface-mounted. DB 075 and DB 032 flush-mounted. The cable consists of wire-coated, tin-plated steel mesh (outer diameter: 6.3 mm). Standard cable length 2 m, individual cable length up to 20 m.

Material

Please select your preferred surface finish for the socket and ceiling bracket in the “Material” section of our website.



MASSIFCENTRAL

Massifcentral Manufactur GmbH, Eiswerderstr. 16, D-13585 Berlin

Phone +49 (0)30 33 30 80 30 00, info@massifcentral.de, www.massifcentral.de

© 2022, Massifcentral Manufactur GmbH. All rights reserved. The drawings and information contained herein may not be reproduced, communicated to the public or made available in whole or in part without prior permission. Patents issued and pending. All technical information in this document is subject to change.

