

PETIT PISTON – PENDANT LIGHT

SOLID CRAFTED GLASS CYLINDER WITH COOLING SOCKET AND HIGH-POWER LED AS A PENDANT LIGHT

A lighting fixture with an elegant personality thanks to its perfect design and discreet cooler.

Since the cylinders are handmade and each piece is unique, the length and the form of the drops vary. The glass length can be customised. PETIT PISTON is available with 2 different sockets.

Technical specifications

Voltage	24 V DC	Colour temperature	2,000–3,000 K
Power	approx. 7 Watts	Weight	approx. 3 kg
Luminous flux / efficiency	100 lm / 14 lm/W	Dimensions (L x W x H)	approx. 40 x 40 x 415 mm

LED modules with various colour temperatures:

“Warm white LED”: 2,500 K, > 90 Ra; “Amber LED”: 2,000 K, > 80 Ra;

“Tuneable white LED”: 2,000–3,000 K (adjustable colour temperature), > 80–>90 Ra.

Lifespan of the LED module: approx. 40,000 hours; can be replaced by electrician.

Control technology

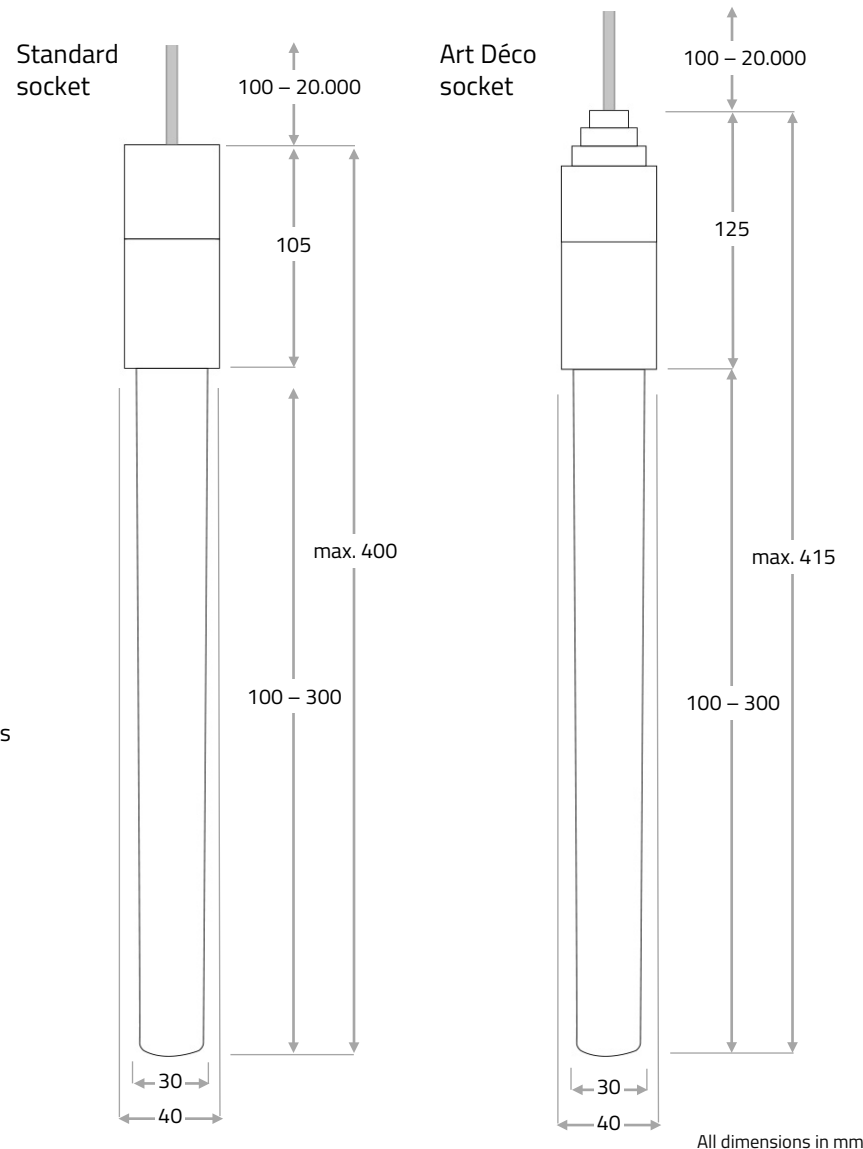
The light fixture is dimmable with interface for phase cut (trailing edge) dimming, 1–10 V, pushdim, remote control, DALI, or CASAMBI. Dimmer / power supply units have to be installed externally; switches / controllers to be provided by the customer.

Ceiling bracket / cable

DB 060 surface-mounted. DB 075 and DB 032 flush-mounted. The cable consists of wire-coated, tin-plated steel mesh (outer diameter: 6.3 mm or 4.0 mm). Standard cable length 2 m, individual cable length up to 20 m.

Material

Please select your preferred surface finish for the socket and ceiling bracket in the “Material” section of our website.



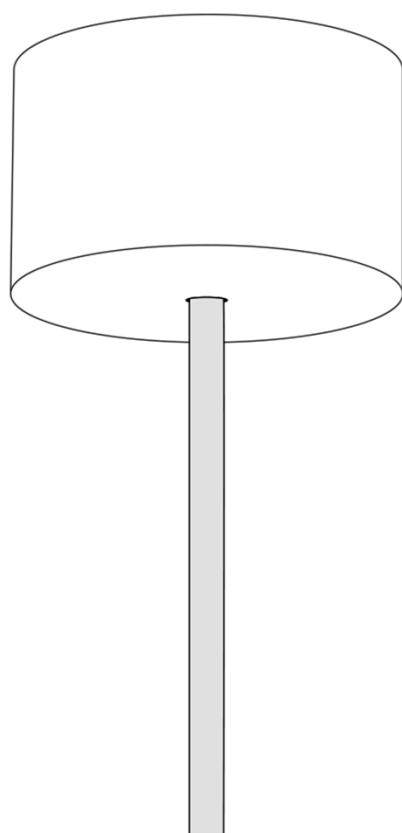
MASSIFCENTRAL

Massifcentral Manufactur GmbH, Eiswerderstr. 16, D-13585 Berlin

Phone +49 (0)30 33 30 80 30 00, info@massifcentral.de, www.massifcentral.de

© 2022, Massifcentral Manufactur GmbH. All rights reserved. The drawings and information contained herein may not be reproduced, communicated to the public or made available in whole or in part without prior permission. Patents issued and pending. All technical information in this document is subject to change.





Installation and care instructions

DB 060
CEILING BRACKET



MASSIFCENTRAL

Content

Important information	2
Mounting	3
Care	4

Important information please read carefully prior to assembly!

Each ceiling bracket is subject to quality control and testing before it is dispatched. Please unwrap the components carefully! The polished or nickel-plated metal surfaces of the product are sensitive. Do wear gloves and mount the parts on soft pads like blankets etc. The glass is sensitive to hits and may be damaged or scratched when handling is not gentle. Leave the bubble foil on the glasses as long as possible to prevent damages during the mounting procedure.



This is a low-voltage LED light! Always use the included power supply and never connect the light cable directly to the 220 V mains network. This would destroy the light completely.

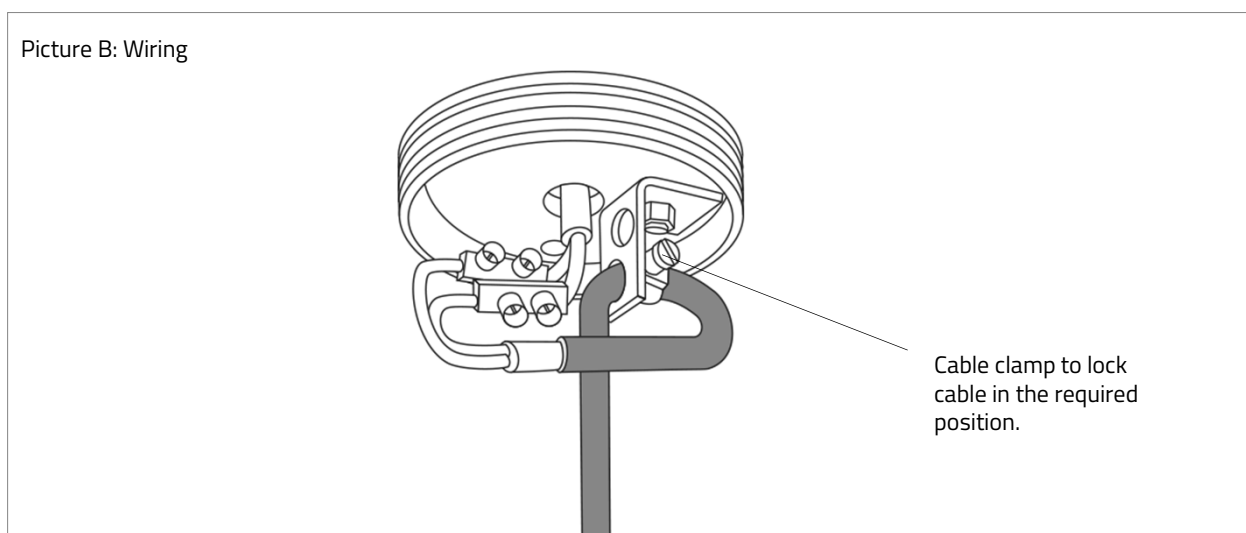
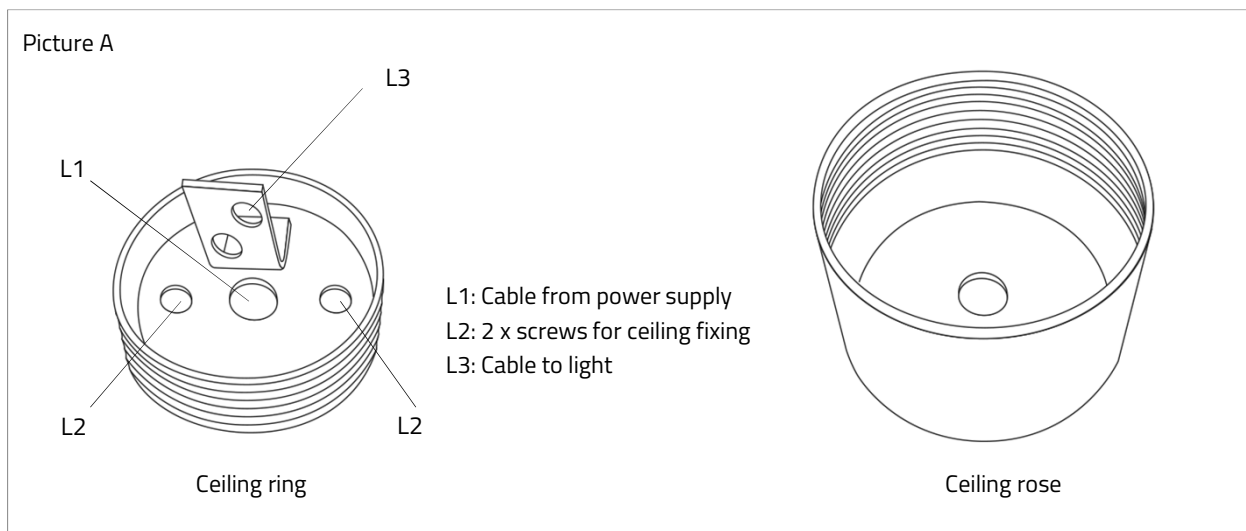
Important! Electrical devices may only be installed and assembled by qualified electricians. Applicable health and safety regulations must be observed. Shut off the mains supply (switch off the automatic circuit breaker) before commencing work on the device in order to prevent electric shocks. Failure to adhere to the installation instructions may cause fires or other hazards.

Important! Do not twist the wire-insulated light cable!

Mounting

The pre-assembled ceiling mount consists of a ceiling ring and a customized ceiling rosette / cover. Unscrew the connection between these two components (illustration A).

1. Cut the wire-insulated cable to length and prepare the cable ends for the terminal block.
2. Mark the bore holes for the screws of the ceiling bracket on the ceiling. Drill the holes for the screws supplied into the ceiling and insert wall plugs supplied.
3. Shut off the mains supply (switch off the automatic circuit breaker) before commencing work on the device in order to prevent electric shocks. Feed the power supply cable from the ceiling through the hole (L1) in the ceiling bracket.
4. Mount the ceiling bracket to the ceiling.
5. Pass cable of light through the ceiling rose and then through hole L3 please note direction the cable has to be passed (Picture B:Wiring). Adjust cable to the light to appropriate length by locking the cable in the required position using the cable clamp supplied with a screwdriver. Do not screw too tight! The screws may damage the electrical cables inside.
6. Connect cables using terminal block.
7. Screw the ceiling rose onto the ceiling ring as supplied.



Care

The ceiling rose is varnished, nickel-plated or made of polished aluminum, and therefore is susceptible to scratches and improper treatment. Polished metal surfaces will gradually oxidise/anodise and develop a patina.

For cleaning we recommend the use of a moist cloth and standard glass care products.



Manufacturer:

Massifcentral Manufactur GmbH, Eiswerderstr. 16, D-13585 Berlin
p +49 (0)30 33 30 80 30 00, info@massifcentral.de, www.massifcentral.de

© 2022, Massifcentral Manufactur GmbH. All rights reserved. These drawings and the information contained herein may not be reproduced, communicated to public or made available in whole or in part without prior permission. Patents issued and pending. Alterations in design, technology and manufacture are subject to change at any time. No guarantee for any typographical errors assumed.