

ALIGNE – PENDANT LIGHT

PENDANT LIGHT WITH SOLID MINERAL GLASS DIFFUSER

The ALIGNE pendant light is a luminaire that can be installed in a variety of ways. It can be installed either as a single luminaire or in a group on a standard or a custom-made ceiling mount.

Technical specifications

| | | | |
|----------------------------|--------------------|------------------------|--------------------------|
| Voltage | 24 V DC | Colour temperature | 2,000–3,000 K |
| Power | approx. 28 Watts | Weight | approx. 3,5 kg |
| Luminous flux / efficiency | 1.300 lm / 47 lm/W | Dimensions (L x W x H) | approx. 960 x 40 x 40 mm |

LED modules with various colour temperatures:

"Tuneable white LED": 2,000–3,000 K (adjustable colour temperature), > 80–>90 Ra.

Lifespan of the LED module: approx. 40,000 hours; can be replaced by electrician.

Control technology

The light fixture is dimmable with interface for remote control or DALI. Dimmer / power supply units have to be installed externally; switches / controllers to be provided by the customer.

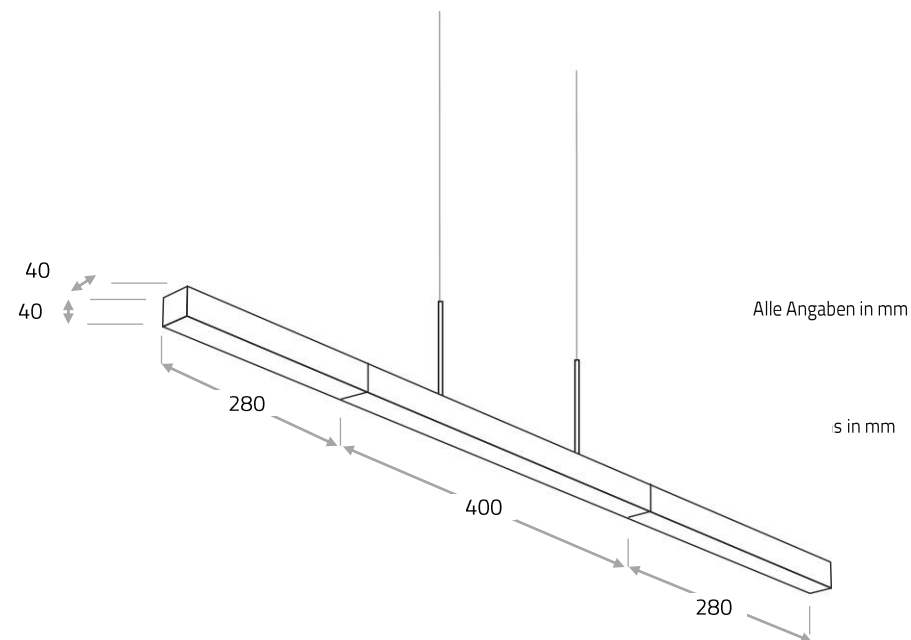
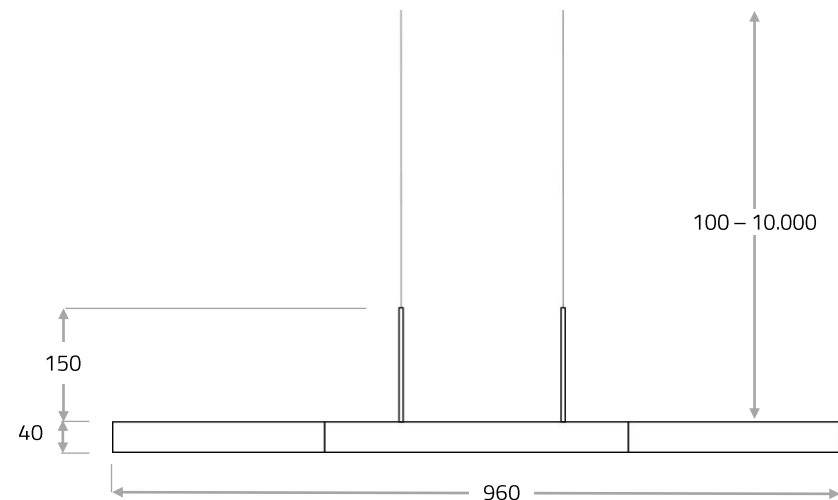
Ceiling bracket

Please select your preferred ceiling bracket in the "ALIGNE" section of our website.

Material

There is a reflector surface on the upper side of the glass.

Please select your preferred surface finish for the socket and ceiling bracket in the "Material" section of our website.



MASSIFCENTRAL

Massifcentral Manufactur GmbH, Eiswerderstr. 16, D-13585 Berlin

Phone +49 (0)30 33 30 80 30 00, info@massifcentral.de, www.massifcentral.de

