

YAOURT – PENDANT LIGHT

SOLID CRAFTED GLASS CYLINDER WITH SOCKET AND LED AS PENDANT LIGHT

Perfectly shaped design through maximum reduction. Since the glasses are handmade, each piece is unique.

Technical specifications

Voltage	24 V DC	Colour temperature	2,000–2,700 K
Power	approx. 5 Watts	Weight	approx. 0,9 kg
Luminous flux / efficiency	180 lm / 40 lm/W	Dimensions (L x W x H)	approx. Ø 70 x 140 mm

LED modules with various colour temperatures:

“Warm white”: 2,700 K, > 90 Ra; “Amber”: 2,000 K, > 80 Ra;

“Tuneable white” 2,000–2,700 K (adjustable colour temperature), > 80→ 90 Ra.

Lifespan of the LED module: approx. 40,000 hours.

Control technology

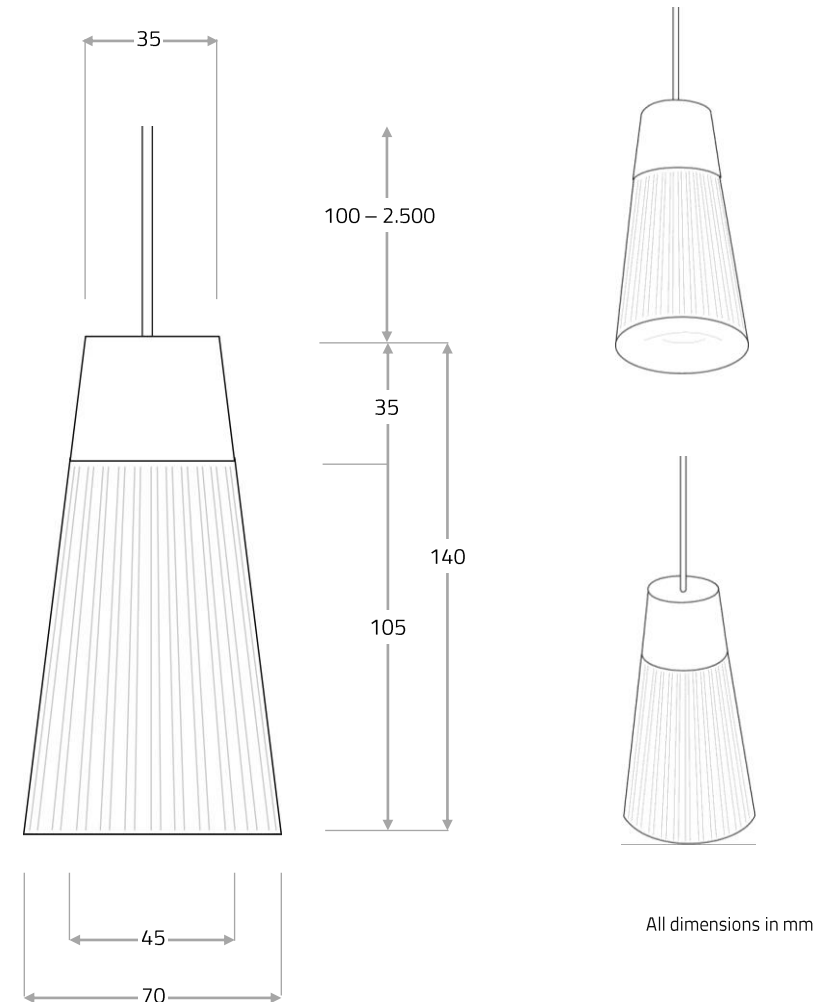
The light fixture is dimmable with interface for phase cut (trailing edge) dimming, 1–10 V, pushdim, remote control, DALI, or CASAMBI. Dimmer / power supply units have to be installed externally; switches / controllers to be provided by the customer.

Ceiling bracket / cable

Standard ceiling mount DB HU1, surface mount. Standard cable length 2.5 m.

Material

Please select your preferred surface finish for the socket and ceiling bracket in the “Material” section of our website.



All dimensions in mm



MASSIFCENTRAL

Massifcentral Manufactur GmbH, Eiswerderstr. 16, D-13585 Berlin

Phone +49 (0)30 33 30 80 30 00, info@massifcentral.de, www.massifcentral.de



RoHS



Made in Germany

IP20