

# STÈLE PISTON O3 – FLOOR LIGHT

FLOOR LIGHT WITH 3 SOLID MINERAL GLASS BODIES WITH A HIGH-POWER LED MODULE.

With STÈLE PISTON, anything is possible: the floor lamp can stand alone or be arranged in a group of any size, standing independently or flanking a spatial arrangement. A flat, proportional base creates a solid foundation and defines the overall shape.

## Technical specifications

Voltage	24 V DC	Colour temperature	2,000–2,700 K
Power	approx. 15 Watts	Weight	approx. 20 kg
Luminous flux / efficiency	300 lm / 20 lm/W	Dimensions (L x W x H)	250 x 250 x 1.700 mm

LED modules with various colour temperatures:

“Warm white LED”: 2,500 K, > 90 Ra; “Amber LED”: 2,000 K, > 80 Ra;

“Tuneable white LED”: 2,000–3,000 K (adjustable colour temperature), > 80–>90 Ra.

Lifespan of the LED module: approx. 40,000 hours; can be replaced by electrician.

## Control technology

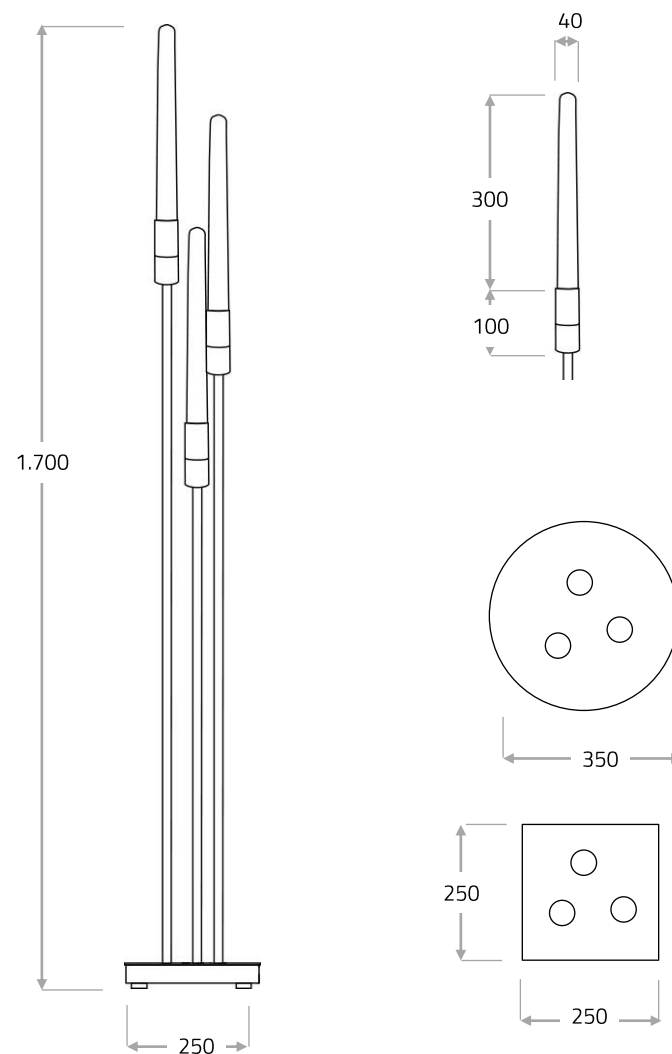
The light fixture is dimmable with foot switch and interface for remote control or CASAMBI.

## Material

STÈLE PISTON is available with finishes:

M43 – Antique solid brass

M44 – Matte solid brass



All dimensions in mm



MASSIFCENTRAL

Massifcentral Manufactur GmbH, Eiswerderstr. 16, D-13585 Berlin

Phone +49 (0)30 33 30 80 30 00, info@massifcentral.de, www.massifcentral.de



© 2023, Massifcentral Manufactur GmbH. All rights reserved. The drawings and information contained herein may not be reproduced, communicated to the public or made available in whole or in part without prior permission. Patents issued and pending. All technical information in this document is subject to change.