

PETIT PILOTE – WALL LIGHT

THESE FUNCTIONAL FLUSH-MOUNTED WALL LIGHTS CAN BE USED AS PILOT LIGHTS WHEREVER PERMANENT LIGHTING IS REQUIRED BUT SPACE COMES AT A PREMIUM

With just 5 Watts of power and a height of 5 mm above plaster, these classic lamps permanently illuminate entire staircases or corridors in a discreet and aesthetically pleasing manner. The visible frame is made of 20 mm wide solid steel (material thickness: 3 mm).

Technical specifications

Voltage	24 V DC (CV)	Colour temperature	2,700 K
Power	approx. 4 Watts	Weight	approx. 1 kg
Luminous flux / efficiency	200lm / 50 lm/W	Dimensions (L x W x H)	approx. 131 x 131 x 59 mm

LED modules with colour temperature “warm white LED”: 2,700 K, > 90 Ra. Lifespan of the LED module: approx. 40,000 hours; can be replaced by an electrician.

Control technology

The light fixture is dimmable with interface for phase cut (trailing edge) dimming, 1–10 V, pushdim, remote control, or DALI. Dimmer / power supply units have to be installed externally; switches / controllers to be provided by the customer.

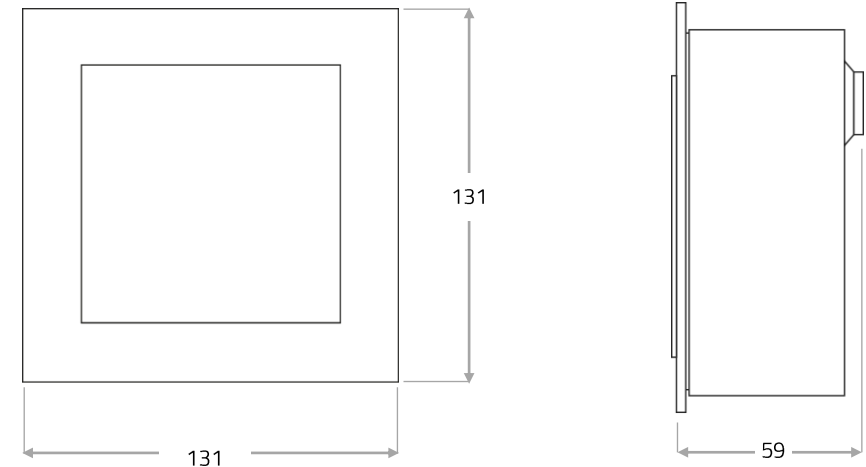
Wall bracket

The flush-mount box available as an accessory comes with our innovative clip-in system allowing you to insert the lamp yourself in one easy step once the plaster work has been completed – one click and done!

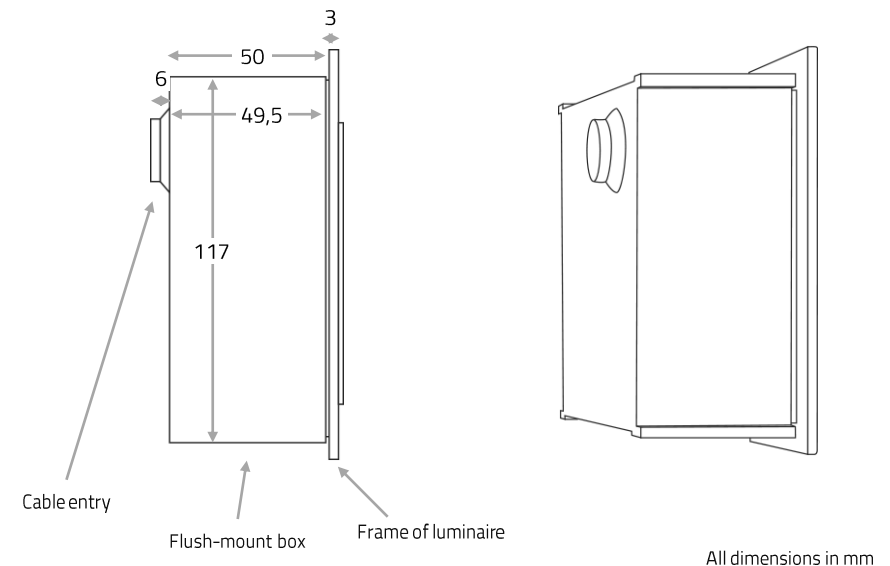
External dimensions of the flush box (structural dimension): 117 x 117 x 55,5 mm

Material

Please select your preferred surface finish for the socket and wall bracket in the “Material” section on our website.



Flush-mount box Petit Pilote



MASSIFCENTRAL

Massifcentral Manufactur GmbH, Eiswerderstr. 16, D-13585 Berlin
Phone +49 (0)30 33 30 80 30 00, info@massifcentral.de, www.massifcentral.de



© 2023, Massifcentral Manufactur GmbH. All rights reserved. The drawings and information contained herein may not be reproduced, communicated to the public or made available in whole or in part without prior permission. Patents issued and pending. All technical information in this document is subject to change.